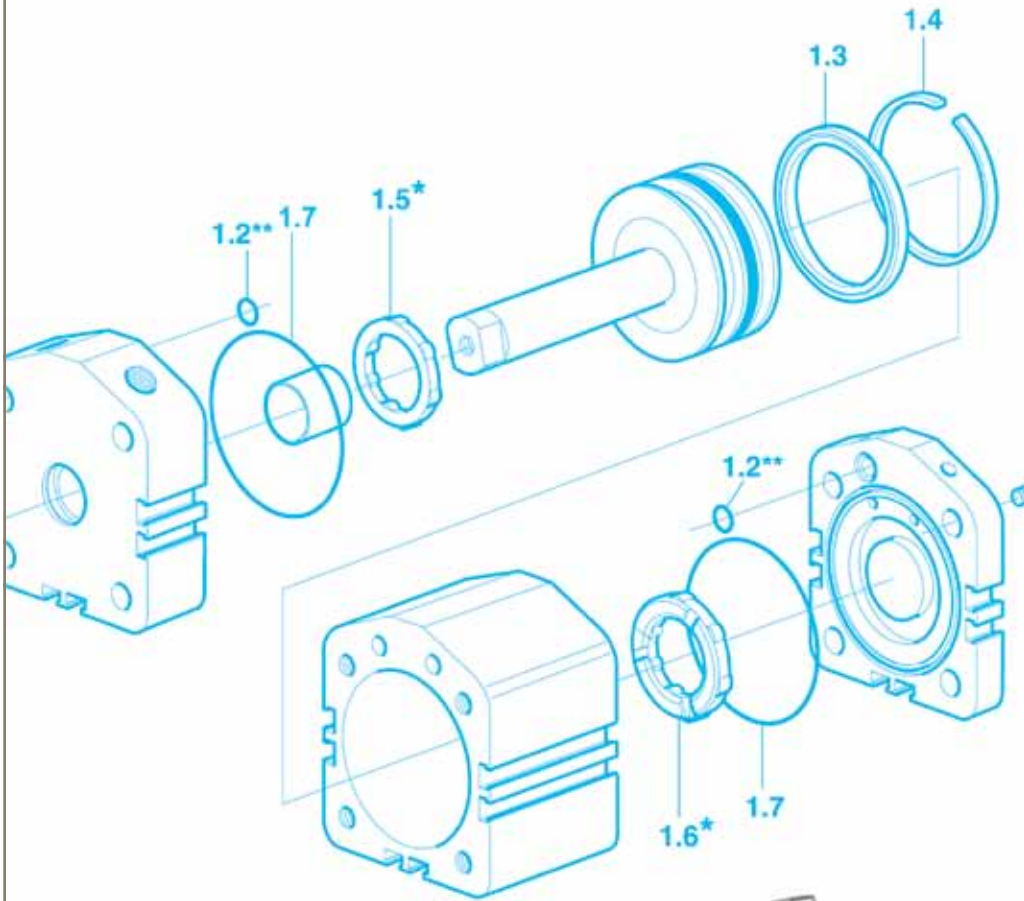




aerospace
climate control
electromechanical
filtration
fluid & gas handling
hydraulics
pneumatics
process control
sealing & shielding



Pneumatic Product Spares Catalogue

PDE2642-SPARES August 2013



ENGINEERING YOUR SUCCESS.

Non repairable - Replace complete cylinder



P1G Cartridge Cylinders

Non repairable - Replace complete cylinder



P1Q Compact Cylinders

Non repairable - Replace complete cylinder



P1J Compact Cylinders

Non repairable - Replace complete cylinder

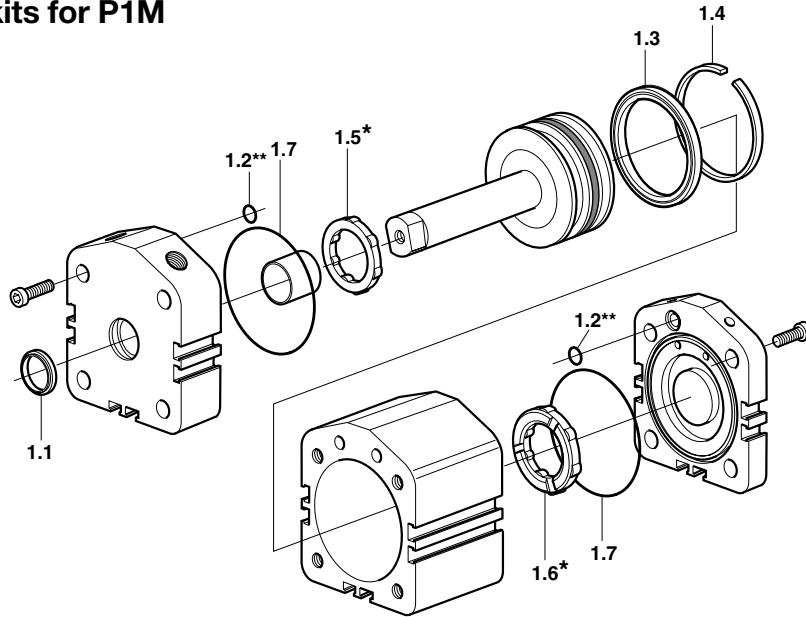


P1A Mini ISO 6432

Non repairable - Replace complete cylinder



Seal kits for P1M



Seal kits for P1M

No	Qty	Part
1.1	1	Scraper ring/Piston rod seal
1.2	2	O-ring
1.3	1	Piston seals
1.4	1	Piston bearing
1.5	1	Front end bumper
1.6	1	Rear end bumper
1.7	2	O-ring

* Bumpers 1.5 and 1.6 not valid for high-temperature version, type G.

** Quantity and design vary, depending on the cylinder variant and model.

Seal kits for complete P1M cylinder

Bore mm	Option	
	Standard	High Temp
12	P1M-6DRN	P1M-6DRV
16	P1M-6FRN	P1M-6FRV
20	P1M-6HRN	P1M-6HRV
25	P1M-6JRN	P1M-6JRV
32	P1M-6KRN	P1M-6KRV
40	P1M-6LRN	P1M-6LRV
50	P1M-6MRN	P1M-6MRV
63	P1M-6NRN	P1M-6NRV
80	P1M-6PRN	P1M-6PRV
100	P1M-6QRN	P1M-6QRV

Grease for P1M

Weight g	Option	
	Standard	High Temp
30	9127394541	9127394521

C0D - C0P Cylinders

Seal kits for C0D and C0P

Description	Order code
C0D300-40/-40S	9121655401
C0D600-50/-50S	9121655501
C0D1200-50/-50S	9121655601
C0P160-50S/-80S	9121655101
C0P300-50S/-80S	9121655201
C0P2500-60/-80	9121655301
C0P2500-60S/-100S	9121655302

Grease for C0D and C0P

Weight	Order code
30 g	9127394541



P1P Repair Kits

Complete seal kits consist of:
 Piston (complete)
 Piston rod seal
 O rings



Material specification, see page 5

Order codes

Cyl.bore mm	P1P cylinder version		
	Std temp	High temp	Low temp
20	P1P-6HRN	P1P-6HRF	P1P-6HRL
25	P1P-6JRN	P1P-6JRF	P1P-6JRL
32	P1P-6KRN	P1P-6KRF	P1P-6KRL
40	P1P-6LRN	P1P-6LRF	P1P-6LRL
50	P1P-6MRN	P1P-6MRF	P1P-6MRL
63	P1P-6NRN	P1P-6NRF	P1P-6NRL
80	P1P-6PRN	P1P-6PRF	P1P-6PRL
100	P1P-6QRN	P1P-6QRF	P1P-6QRL

Order codes

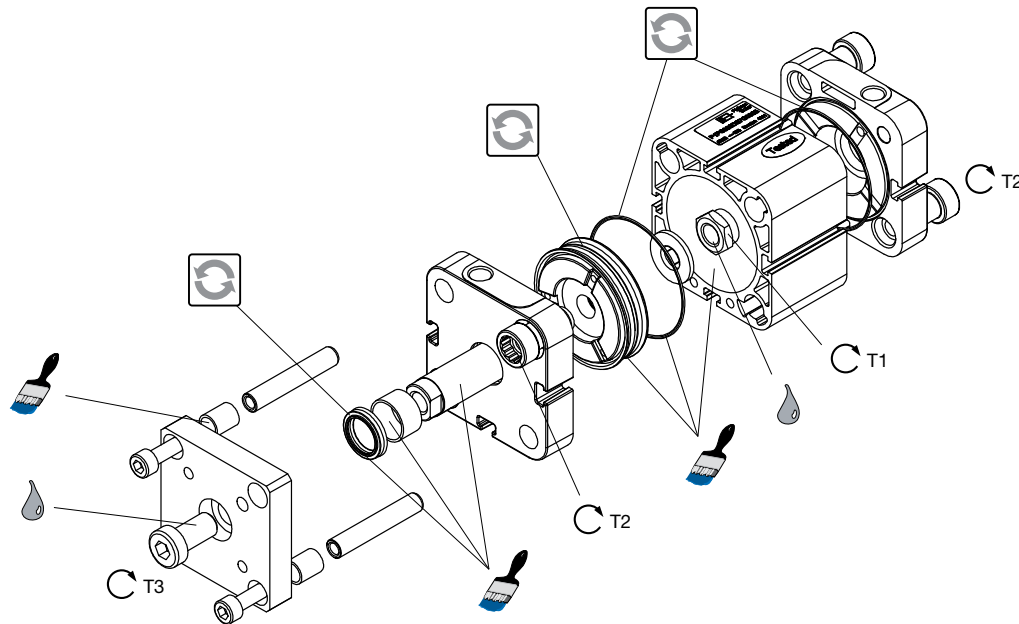


Standard temperature	30g	9127394541
High temperature	30g	9127394521
Low temperature	30g	9127394541

For through rods variants, order two seal kits.

Example: For a P1PS...KS Ø63 through rod, standard temperature version, order 2 x **P1P-6NRN**

Seal kit



= Included in seal kit = Lubricated with grease

= Socket head = Locking fluid

= Tightening torque *Loctite 243 must be used for standard and low temperature versions.*
Loctite 270 must be used for high temperature versions

Cyl.-dia mm	Plastic piston T1 Nm	AF mm	T2 Nm	AF mm	T3 Nm	AF mm
20	3,5	8	14	7	8	4
25	3,5	8	14	7	8	4
32	8	10	20	7	20	5
40	12	13	20	7	20	5
50	20	17	40	10	40	7
63	20	17	40	10	40	7
80	35	19	14	5	70	8
100	80	24	28	6	70	8



Seal Kits

Bore mm	Standard	High temp	Hydraulic	Thru rod
32	9121565201	9122298611	9123981801	9121565251
40	9121565202	9122298612	9123981802	9121565252
50	9121565203	9122298613	9123981803	9121565253
63	9121565204	9122298614	9123981804	9121565254
80	9121565205	9122298615	9123981805	9121565255
100	9121565206	9122298616	9123981806	9121565256
125	9121565207	9122298617	9123981807	9121565257
160	9121565208	9122298618		9121565258
200	9121565209	9122298619		9121565259

Which seal kit you should use is depending on the letter used for “Piston rod and sealing material” in the cylinder ordering key, this is digit number 10 in the standard ordering key or position 6 in the special version ordering key. Seal kit for thru rod locking is for standard temperature only and should be used when you have a cylinder with thru rod (F in position 9 for standard ordering key or position 5 in special ordering key).

Example

Standard ordering key	C41-S032MC-0200	(position 10)
Order key, special versions	41CKMC200C15000	(position 6)

Letter	Seal Kit
Position 10	
S, C, M or R	Standard
F, G, N or D	High temp
L, K, P or E	Low temp
J or Z	Hydraulic
Position 9 when position 10 S, C, M or R	
F	Thru rod

P1D Seal kits

Complete seal kits consisting of:

- Piston seals
- Cushioning seals
- Piston rod bearing
- Combined piston rod seal and scraper ring
- O-rings



Order codes


Bore mm	P1D cylinder version			
	Standard P1D-S, P1D-T, P1D-C, P1D-F	High Temp P1D-S	Low Temp P1D-S	Hydraulic P1D-S
32	P1D-6KRN	P1D-6KRF	P1D-6KRL	P1D-6KRH
40	P1D-6LRN	P1D-6LRF	P1D-6LRL	P1D-6LRH
50	P1D-6MRN	P1D-6MRF	P1D-6MRL	P1D-6MRH
63	P1D-6NRN	P1D-6NRF	P1D-6NRL	P1D-6NRH
80	P1D-6PRN	P1D-6PRF	P1D-6PRL	P1D-6PRH
100	P1D-6QRN	P1D-6QRF	P1D-6QRL	P1D-6QRH
125	P1D-6RRN	P1D-6RRF	P1D-6RRL	P1D-6RRH

Bore mm	P1D cylinder version			
	Standard temperature with FPM scraper ring P1D-S, P1D-T, P1D-C, P1D-F	Standard temperature Dry piston rod with HDPE scraper ring P1D-S, P1D-T, P1D-C, P1D-F	Standard temperature with metal scraper ring P1D-S, P1D-T, P1D-C, P1D-F	Standard temperature with piston rod locking P1D-L, P1D-D, P1D-4
32	P1D-6KRV	P1D-6KRD	P1D-6KRQ	P1D-6KRNL
40	P1D-6LRV	P1D-6LRD	P1D-6LRQ	P1D-6LRNL
50	P1D-6MRV	P1D-6MRD	P1D-6MRQ	P1D-6MRNL
63	P1D-6NRV	P1D-6NRD	P1D-6NRQ	P1D-6NRNL
80	P1D-6PRV	P1D-6PRD	P1D-6PRQ	P1D-6PRNL
100	P1D-6QRV	P1D-6QRD	P1D-6QRQ	P1D-6QRNL
125	P1D-6RRV	P1D-6RRD	P1D-6RRQ	P1D-6RRNL

Bore mm	P1D optional cylinder versions	
	Through rod Standard temperature P1D-S, P1D-T, P1D-C, P1D-F	
32	P1D-6KRNF	
40	P1D-6LRNF	
50	P1D-6MRNF	
63	P1D-6NRNF	
80	P1D-6PRNF	
100	P1D-6QRNF	
125	P1D-6RRNF	

For other design variants with through rods, order double seal kits as above.
 Example: For a P1D-S Ø63 with through rod, high temperature version, order 2 x P1D-6NRF

Grease for P1D

	Standard	30g	9127394541
	High temperature	30g	9127394521
	Low temperature	30g	9127394541

Seal kit

= Included in seal kit

= Screwdriver head

= Insexgrepp

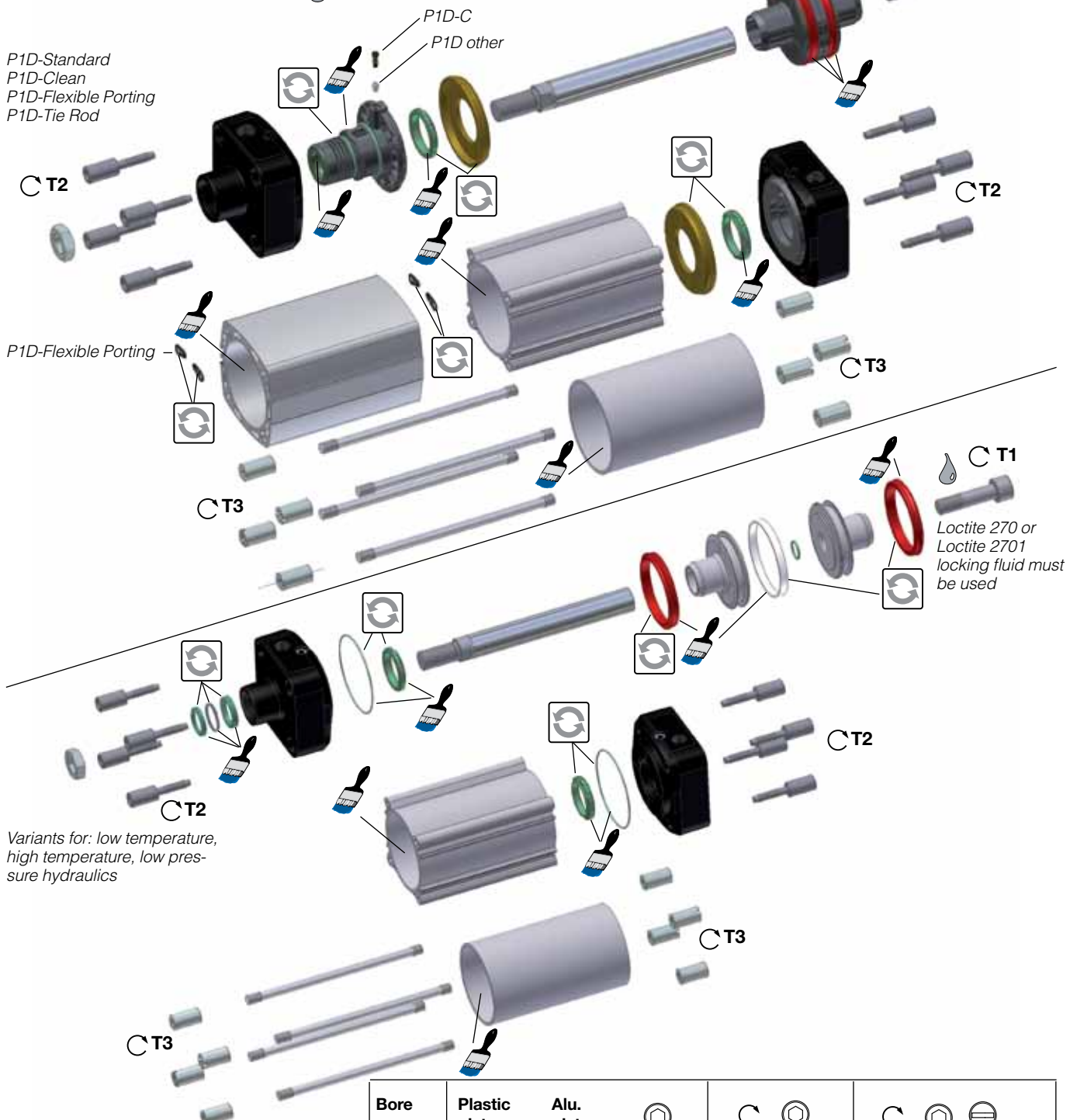
= Tightening torque

= Lubricated with grease, see page 74.

= Locking fluid

Loctite 270 or
Loctite 2701 locking
fluid must be used

P1D-Standard
P1D-Clean
P1D-Flexible Porting
P1D-Tie Rod



Variants for: low temperature,
high temperature, low pres-
sure hydraulics

Bore	Plastic piston	Alu. piston						
mm	T1 Nm	T1 Nm	NV mm	T2 Nm	NV mm	T3 Nm	NV mm	NV mm
32	4,5	15	6	8	6	6	6	
40	11	30	8	8	6	6	6	
50	20	40	10	20	8	11	8	
63	20	40	10	20	8	11	8	
80	40	120	14	20	6	20		3x16
100	120	120	14	20	6	20		3x16
125	120	120	14	70	8	40		4x18

P1D-B Seal kits

Complete seal kits consisting of:

- Piston seals
- Cushioning seals
- Piston rod seal
- O-rings
- Scraper ring

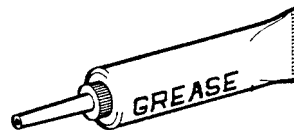
Material specification, see page 5



Order codes

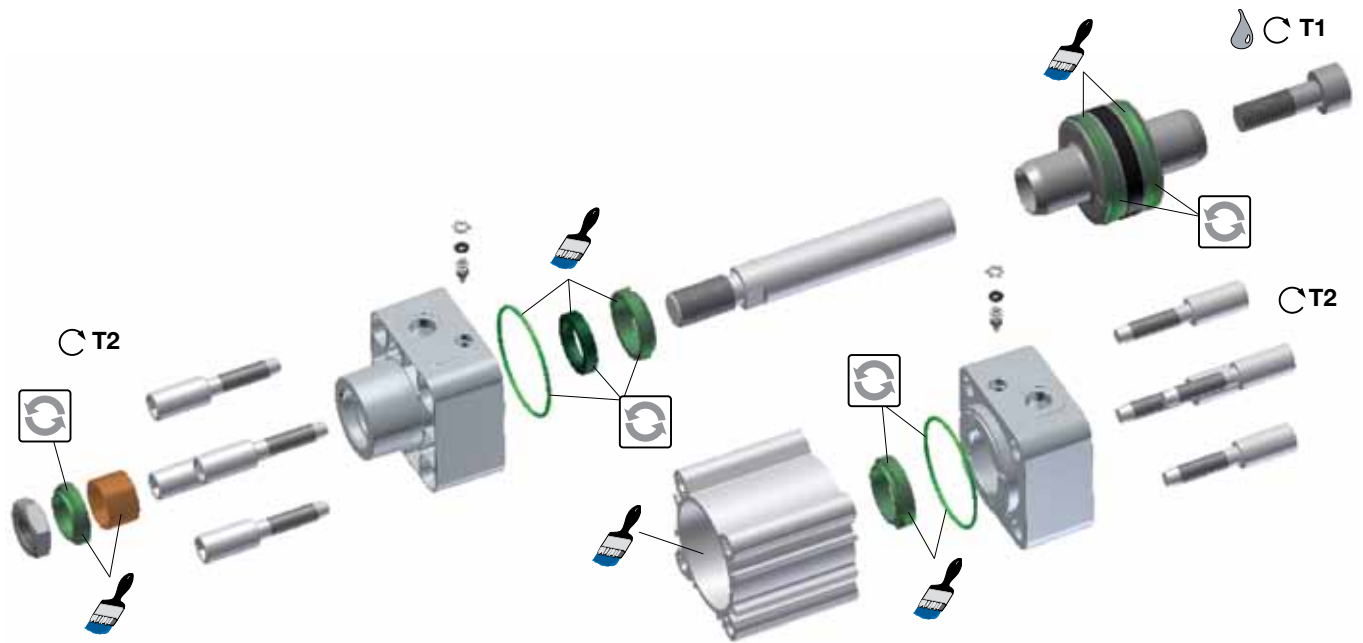
Cyl.bore mm	P1D cylinder version
	Standard P1D-B
32	P1D-6KRNB
40	P1D-6LRNB
50	P1D-6MRNB
63	P1D-6NRNB
80	P1D-6PRNB
100	P1D-6QRNB
125	P1D-6RRNB

Order codes



Standard	30g	9127394541
----------	-----	-------------------

Seal kit



- = Included in seal kit
- = Lubricated with grease
- = Socket head
- = Locking fluid
- = Tightening torque

Loctite 270 or Loctite 2701 locking fluid must be used

Cyl.-dia mm	Plastic piston T1 Nm	NV mm	T2 Nm	NV mm
32	4,5	6	8	6
40	11	8	8	6
50	20	10	20	8
63	20	10	20	8
80	40	14	20	6
100	120	14	20	6
125	120	14	70	8



P1D-T Seal Kits

Complete seal kits consisting of:

- Piston complete
- Cushioning seals
- Piston rod bearing
- Scraper ring
- Piston rod seal
- O-rings

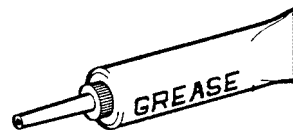
Material specification, see page 5



P1D-T Seal Kits

Cyl.bore mm	Standard	High Temp.
160	PD23013	PD26995
200	PD25006	PD27427
250	PD25872	PD27976
320	PY00031	KL7325

Grease for P1D-T

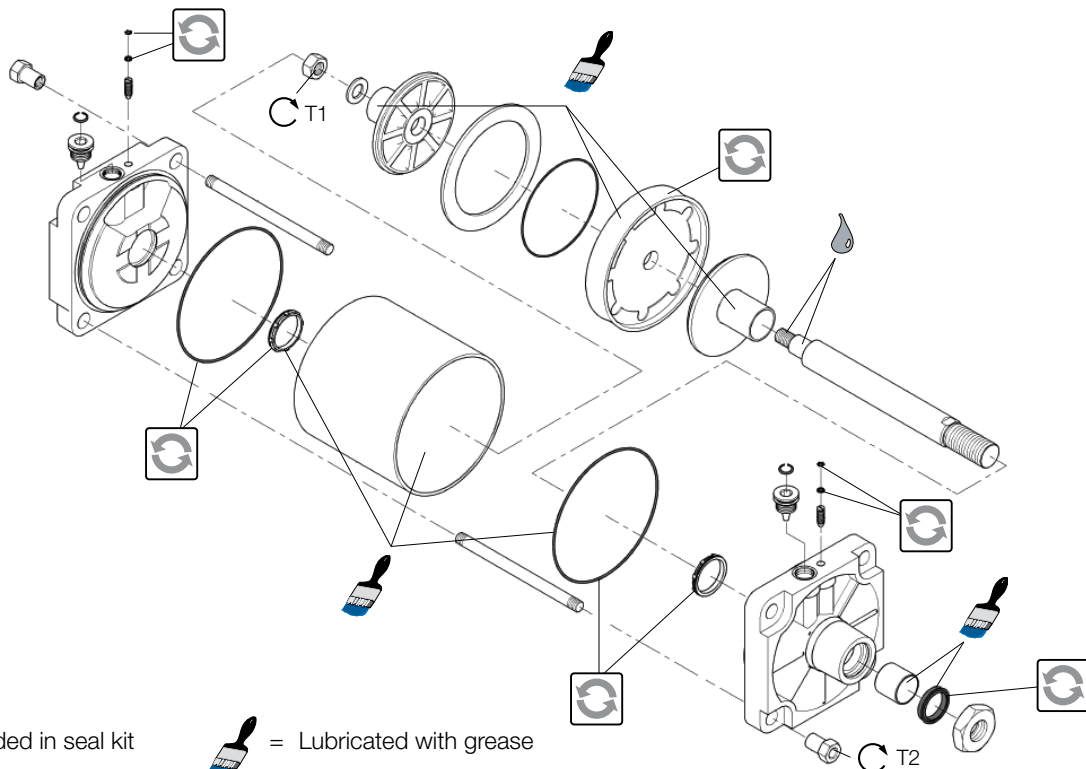


Standard	4g tube	KL8220
High temperature	4g tube	KL8220

P1D-T Optional cylinder versions

Cyl.bore mm	Through rod Standard temperature
160	P1D-6SRNF
200	P1D-6TRNF
250	P1D-6URNF
320	P1D-6VRNF

Seal kit for bores Ø160 - Ø250 mm






- = Included in seal kit
- = Lubricated with grease
- = Socket head
- = Locking fluid
- = Tightening torque
- = Nut A/F

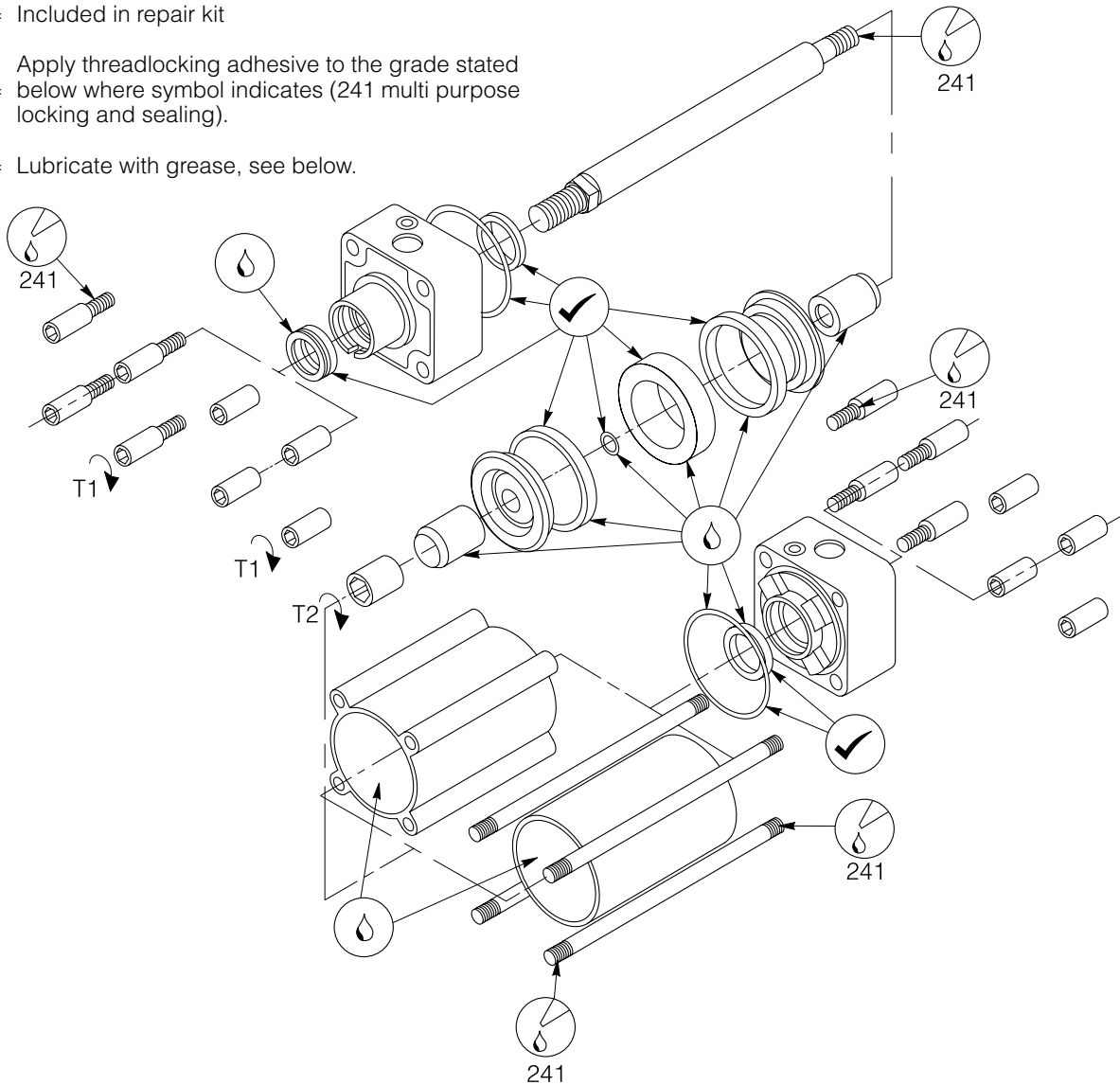
Loctite LT638 locking fluid must be used

For bore Ø320 please consult sales company

Cyl.-dia mm	Plastic piston T1 Nm	NV mm	T2 Nm	NV mm
160	100	30	85	27
200	100	30	95	27
250	120	36	140	41

Repair kits

-  = Included in repair kit
-  = Apply threadlocking adhesive to the grade stated below where symbol indicates (241 multi purpose locking and sealing).
-  = Lubricate with grease, see below.



Bore mm	T1 Nm	NV	T2 Nm	NV
32	4-5	6	9-10	5
40	4-5	6	9-10	6
50	9-10	8	28-30	12
63	9-10	8	28-30	12
80	18-20	10	80-85	12
100	18-20	10	80-85	12
125	24-26	24	115-125	30
160	36-38	30	163-177	22
200	36-38	30	163-177	22

Bore mm	Repair kits	
	Standard	High temperature
32	P1E-6KRM	P1E-6KRV
40	P1E-6LRM	P1E-6LRV
50	P1E-6MRM	P1E-6MRV
63	P1E-6NRM	P1E-6NRV
80	P1E-6PRM	P1E-6PRV
100	P1E-6QRM	P1E-6QRV
125	P1E-6RRM	P1E-6RRV
160	P1E-6SRM	P1E-6SRV
200	P1E-6TRM	P1E-6TRV

Grease for P1E



Standard	30g	9127394541
High temperature	30g	9127394521
Low temperature	30g	9127394541

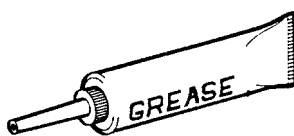


Seal kits for complete P1K cylinder

Bore mm	Option			
	Standard	High Temp.	Low Temp.	Hydraulic
32	9122352088	9122421921	P1K-6032PL	9122421931
40	9122352089	9122421922	P1K-6040PL	9122421932
50	9122352090	9122421923	P1K-6050PL	9122421933
63	9122352091	9122421924	P1K-6063PL	9122421934
80	9122352092	9122421925	P1K-6080PL	9122421935
100	9122352093	9122421926	P1K-6100PL	9122421936
125	9122352100	*	*	9122421937

* Please contact customer service.

Grease for P1K



Standard	30g	9127394541
High temperature	30g	9127394521
Low temperature	30g	9127394541

P1S Stainless Steel Cylinders - ISO 6432
10mm - 25mm bore



Non repairable - Replace complete cylinder

Seal kits for P1S cylinders

Complete seal kits consisting of:

Piston seals

Cushioning seals

Piston rod bearing

Piston rod seal

Scraper ring

O-rings

Material specification, see pages 16 and 17.



Standard temperature versions

Bore mm	Cylinder designation	Order code
32	P1S-•032MS	9121659195
40	P1S-•040MS	9121659196
50	P1S-•050MS	9121659197
63	P1S-•063MS	9121659198
80	P1S-•080MS	9121718905
100	P1S-•100MS	9121718906
125	P1S-•125MS	9121718907

High temperature versions

Bore mm	Cylinder designation	Order code
32	P1S-•032MF	9121720595
40	P1S-•040MF	9121720596
50	P1S-•050MF	9121720597
63	P1S-•063MF	9121720598
80	P1S-•080MF	9121718925
100	P1S-•100MF	9121718926
125	P1S-•125MF	9121718927

Low temperature versions

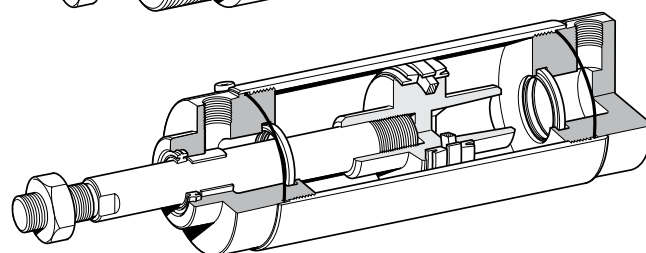
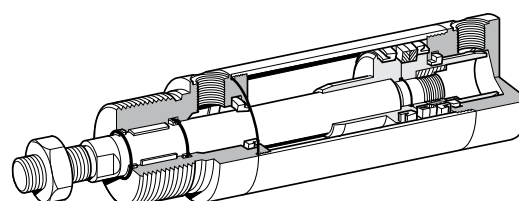
Bore mm	Cylinder designation	Order code
80	P1S-•080ML	9121718935
100	P1S-•100ML	9121718936
125	P1S-•125ML	9121718937

Standard temperature with Through rod

Bore mm	Cylinder designation	Order code
80	P1S-•080FS	9121718955
100	P1S-•100FS	9121718956
125	P1S-•125FS	9121718957

Standard temperature with stainless steel scraper ring

Bore mm	Cylinder designation	Order code
80	P1S-•080MQ	9121718915
100	P1S-•100MQ	9121718916
125	P1S-•125MQ	9121718917



Grease

Version	Weight	Order code
Standard and Low temperature	30 g	9127394541
High temperature	30 g	9127394521



Bore size (mm)	Order code Standard temperature
32	6360075
40	6360085
50	6360115
63	Obsolete



MS

Cylinder type: **MB**



MT

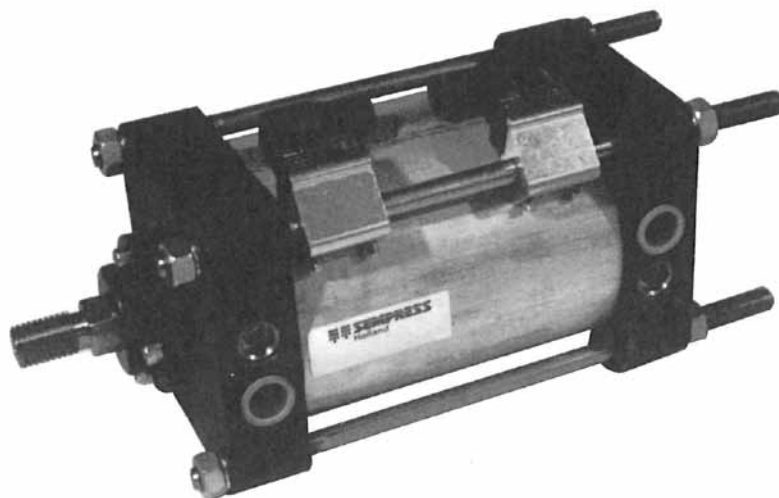


Cylinder type: **SB**

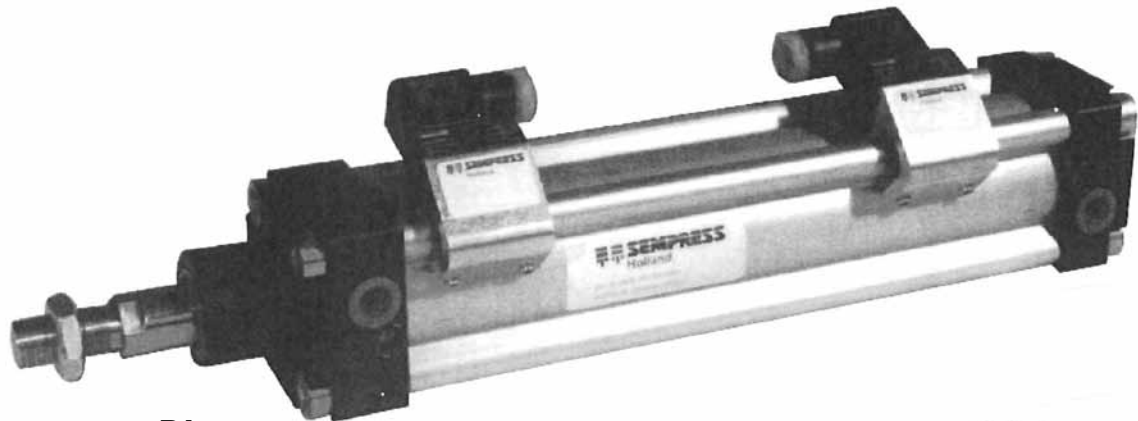
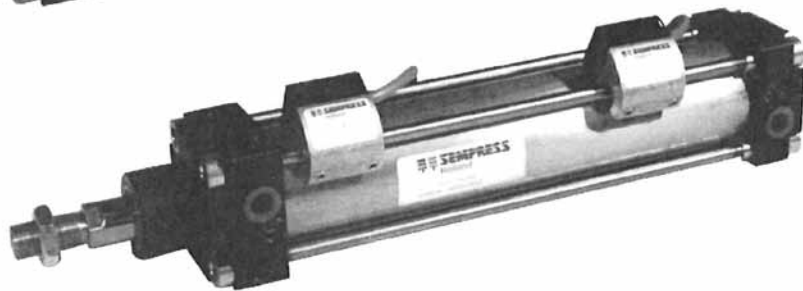


LG

Bore size (mm)	Order code Standard temperature	Order code High temperature (AV)
19	6360020	Obsolete
25	6360040	Obsolete

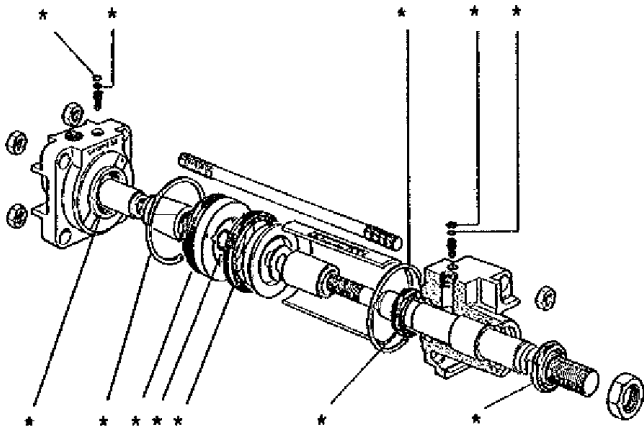


Bore size (mm)	Order code Standard temperature	Order code Oversized Piston (VK)	Order code High temperature (AV)
125	6360200	6360202	6360204
150	6360220	6360222	6360224
200	6360240	6360242	N/A
250	6360250	6360252	N/A
300	6360280	Obsolete	N/A

Cylinder type: **PA**Cylinder type: **A**

Bore size (mm)	Order code	Order code
	Standard temperature	High temperature (AV)
32	2209001	6360074
40	2209004	Obsolete
50	2209007	6360114
63	2209010	6360134
80	2209013	6360174
100	2209016	6360194

Repair kit



Components marked (*) are included in Repair Kits shown below

Bore mm	Standard	High temp.	Hydraulic
25	JJ025A02	JJ025A03	JJH025N02
32	JJ032A02	JJ032A03	JJH032N02
40	JJ040A02	JJ040A03	JJH040N02
50	JJ050A02	JJ050A03	JJH050N02
63	JJ063A02	JJ063A03	JJH063N02
80	JJ080A02	JJ080A03	JJH080N02
100	JJ100A02	JJ100A03	JJH100N02
125	JJ125A02	JJ125A03	JJH125N02
160	JJ160A02	JJ160A03	JJH160N02
200	JJ200A02	JJ200A03	JJH200N02

Assembly tie rod nuts and mountings tightening torque (Nm)

Bore mm	Std. body		Steel body		Epoxy body	
	Stroke	Torque	Stroke	Torque	Stroke	Torque
25	0-800	5	801-1200	2		
32	0-900	5	901-2000	2	0-400	2,5
40	0-1100	5	1101-2000	3	0-600	3,5
50	0-1200	10	1201-2000	6	0-700	6,0
63	0-1200	12	1201-2000	8	0-700	9,0
80	0-1400	20	1401-2000	14	0-700	12,0
100	0-1400	24	1401-2000	20	0-900	13,0
125	0-1500	35	1501-2000	30	0-1000	17,0
160	0-1500	70	1501-2000	58	0-1000	27,0
200	0-1500	70	1501-2000	58	0-1000	27,0

Note: Tie rod nuts and mounting nuts should be progressively tightened diagonally opposite until indicated torque values are reached



Maintenance parts - Seal kit

Ø bore (mm)	VRS / VRSM Cylinders	VRA / VRAM Cylinders
32	JJVR032	JJVRA032
40	JJVR042	JJVRA040
50	JJVR050	JJVRA050
63	JJVR063	JJVRA063
80	JJVR080	JJVRA080
100	JJVR100	
125	JJVR125	

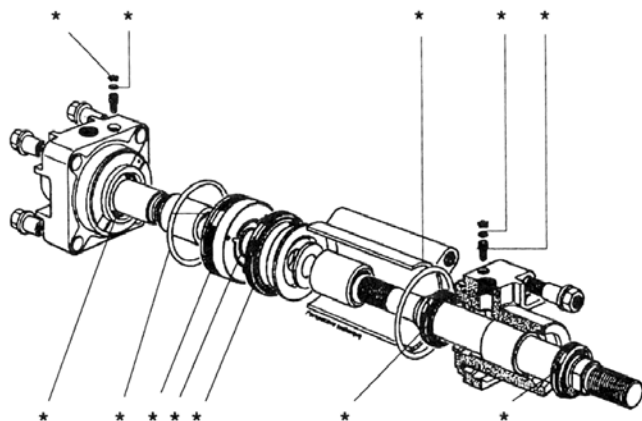
Repair kit



Seal kits

Ø bore (mm)	Standard temperature	High temperature	Standard temperature through rod	High temperature through rod
32	CTSK032	CTSK032V	CTSK032 + CTSKF032	N/A
40	CTSK040	N/A	N/A	N/A
50	CTSK050	N/A	N/A	N/A
63	CTSK063	CTSK063V	N/A	N/A
80	CTSK080	CTSK080V	N/A	N/A
100	CTSK100	CTSK100V	N/A	N/A

Repair kit



Components marked (*) are included in Repair Kits shown below

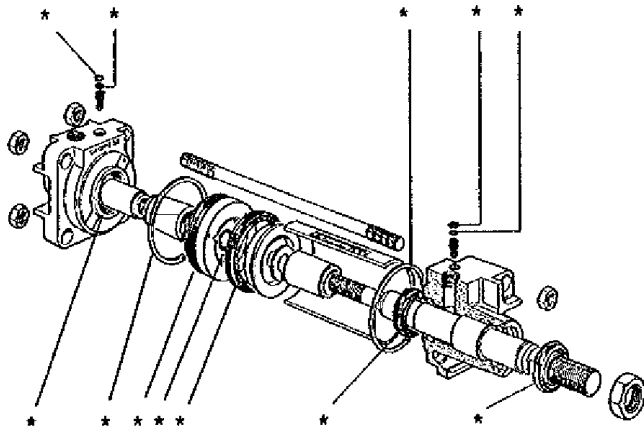
Bore mm	Standard	Hight temp.	Hydraulic
32	JJ032A02	JJ032A03	JJH032N02
40	JJ040A02	JJ040A03	JJH040N02
50	JJ050A02	JJ050A03	JJH050N02
63	JJ063A02	JJ063A03	JJH063N02
80	JJ080A02	JJ080A03	JJH080N02
100	JJ100A02	JJ100A03	JJH100N02
125	JJ125A02	JJ125A03	JJH125N02
160	JJ160A02	JJ160A03	JJH160N02
200	JJ200A02	JJ200A03	JJH200N02

Assembly tie rod nuts and mountings tightening torque (Nm)

Bore mm	Torque
32	5
40	5
50	10
63	12
80	20
100	24

Note: Tie rod nuts and mounting nuts should be progressively tightened diagonally opposite until indicated torque values are reached

Repair kit



Components marked (*) are included in Repair Kits shown below

Bore mm	Standard	Hight temp.	Hydraulic
32	JJ032A02	JJ032A03	JJH032N02
40	JJ040A02	JJ040A03	JJH040N02
50	JJ050A02	JJ050A03	JJH050N02
63	JJ063A02	JJ063A03	JJH063N02
80	JJ080A02	JJ080A03	JJH080N02
100	JJ100A02	JJ100A03	JJH100N02
125	JJ125A02	JJ125A03	JJH125N02
160	JJ160A02	JJ160A03	JJH160N02
200	JJ200A02	JJ200A03	JJH200N02

Assembly tie rod nuts and mountings tightening torque (Nm)

Bore mm	Std. body		Steel body		Epoxy body	
	Stroke	Torque	Stroke	Torque	Stroke	Torque
32	0-900	5	901-2000	2	0-400	2,5
40	0-1100	5	1101-2000	3	0-600	3,5
50	0-1200	10	1201-2000	6	0-700	6,0
63	0-1200	12	1201-2000	8	0-700	9,0
80	0-1400	20	1401-2000	14	0-700	12,0
100	0-1400	24	1401-2000	20	0-900	13,0
125	0-1500	35	1501-2000	30	0-1000	17,0
160	0-1500	70	1501-2000	58	0-1000	27,0
200	0-1500	70	1501-2000	58	0-1000	27,0

Note: Tie rod nuts and mounting nuts should be progressively tightened diagonally opposite until indicated torque values are reached

Seal kits for P1C

Complete seal kits consisting of:

- Scraper ring
- Piston rod bearing
- Piston rod seal
- Piston bearing
- Piston seals
- Cushioning rings
- O-rings



Material specification, see page 6

Seal kits for complete P1C cylinder

Bore mm	Option			
	Standard	High Temp	Low Temp	Hydraulic
32	9121715901	9121715931	9121715921	9121715961
40	9121715902	9121715932	9121715922	9121715962
50	9121715903	9121715933	9121715923	9121715963
63	9121715904	9121715934	9121715924	9121715964
80	9121715905	9121715935	9121715925	9121715965
100	9121715906	9121715936	9121715926	9121715966
125	9121715907	9121715937	9121715927	9121715967

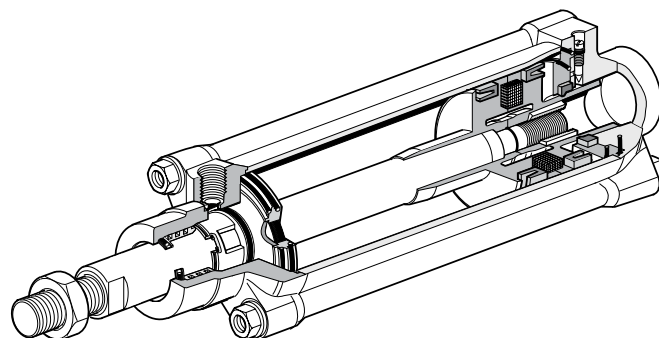
Seal kits for complete P1C cylinder

Bore mm	Thru Rod	Rod Locking
	Standard	Standard
32	9121715952	9121715941
40	9121715953	9121715942
50	9121715954	9121715943
63	9121715955	9121715944
80	9121715956	9121715945
100	9121715957	9121715946
125	9121715958	9121715947

Grease for P1C



Standard	30 g	9127394541
High temperature	30 g	9127394521
Low temperature	30 g	9127394531



Repair kits

Kits are available for all cylinder sizes, comprising a complete set of seals. To order specify part number shown below.

Cylinder Number	Order code
40400	40400R
40410	40400R
41400	41400R
41410	41400R
491	491R
492	491R
40900	40900R
41910	40900R
41000	41000R



P1Z

Spare parts

Repair kits

Bore mm	Basic version	Guided version
16	P1ZM016SNN-R	P1ZM016GNN-R
20	P1ZM020SNN-R	P1ZM020GNN-R
32	P1ZM032SNN-R	P1ZM032GNN-R

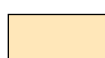




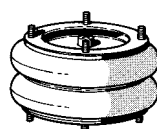
Spare parts

Bore mm	Types	Bellows		End plates		Support ring	Central ring
		Standard	High temp.	Without inlet port	With inlet port		
One convolution							
110	4½ x 1	9109145	9109288	9109188	9109187	9109186	9109184
150	6 x 1 (alu.)	9109191	9109391	9109070A	9109075A	9109080A	9109098A
	6 x 1 (steel)	9109191	9109391	9109070	9109075	9109080	9109098
200	8 x 1	9109192	9109392	9109071	9109076	9109086	9109099
250	10 x 1	9109146	9109393	9109072	9109077	9109087	9109100
300	12 x 1	9109195	9109395	9109073	9109078	9109088	9109101
370	14½ x 1	9109197	9109397	9109074	9109178	9109089	9109170
Two convolutions							
70	2¾ x 2	9109152	9109303	9109065	9109181	9109193	9109209
110	4½ x 2	9109189	9109289	9109188	9109187	9109186	9109184
150	6 x 2 (alu.)	9109091	9109291	9109070A	9109075A	9109080A	9109098A
	6 x 2 (steel)	9109091	9109291	9109070	9109075	9109080	9109098
200	8 x 2	9109092	9109292	9109071	9109076	9109086	9109099
250	10 x 2	9109093	9109293	9109072	9109077	9109087	9109100
300	12 x 2	9109095	9109295	9109073	9109078	9109088	9109101
370	14½ x 2	9109097	9109297	9109074	9109178	9109089	9109170
410	16 x 2	9109199	9109298	9109074	9109178	9109089	9109170
550	21½ x 2	9109190	9109290	9109068	9109067	9109183	9109185
660	26 x 2	9109198	9109302	9109155	9109157	9109183	9109185
Three convolutions							
70	2¾ x 3	9109090	9109304	9109065	9109181	9109193	9109209
110	4½ x 3	9109147	9109287	9109188	9109187	9109186	9109184
150	6 x 3 (alu.)	9109149	9109286	9109070A	9109075A	9109080A	9109098A
	6 x 3 (steel)	9109149	9109286	9109070	9109075	9109080	9109098
200	8 x 3	9109151	9109300	9109071	9109076	9109086	9109099
250	10 x 3	9109094	9109294	9109072	9109077	9109087	9109100
300	12 x 3	9109096	9109296	9109073	9109078	9109088	9109101
370	14½ x 3	9109148	9109301	9109074	9109178	9109089	9109170
410	16 x 3	9109200	9109299	9109074	9109178	9109089	9109170

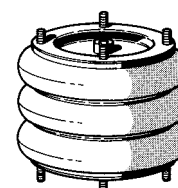
Colour codes for air bellow types



One convolution



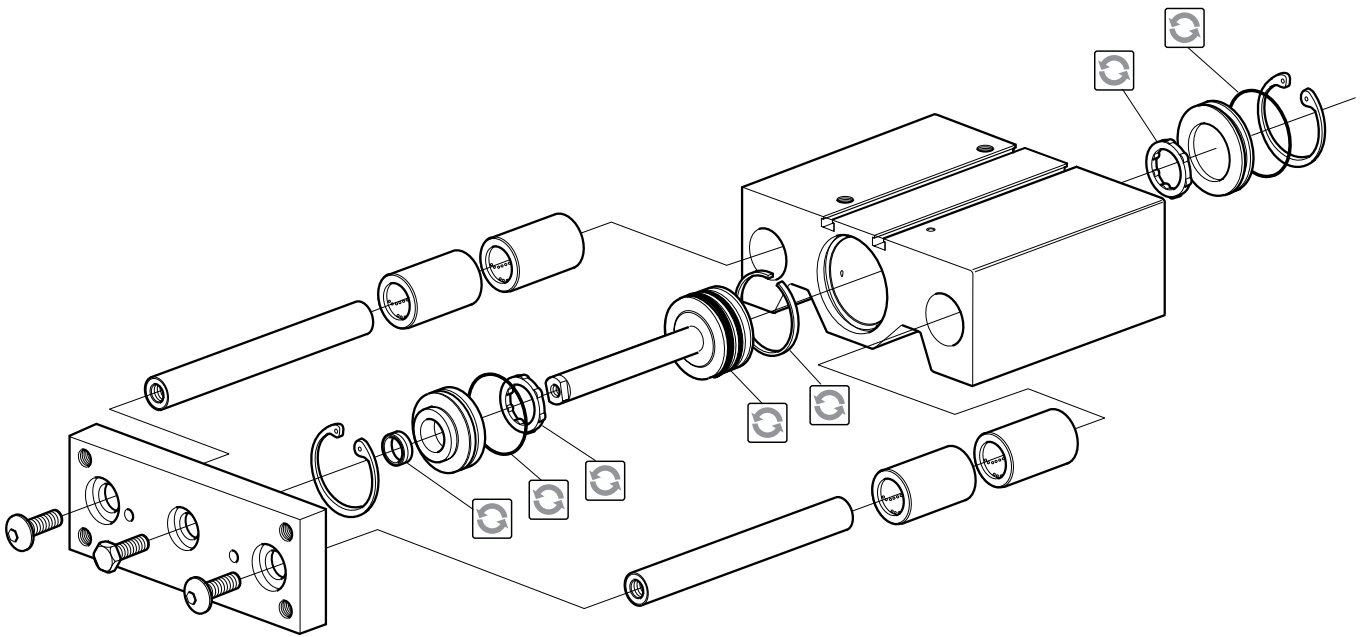
Two convolutions



Three convolutions

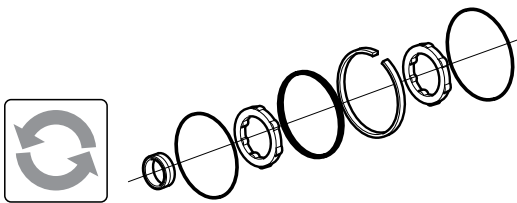


Symbol which indicates sub-components in seal kit (for replacement during maintenance)



Seal kits for P5T

Bore mm	Standard temperature Nitrile rubber	High temperature Fluorocarbon rubber
16	PSK-P5T16	PSK-P5T16F
20	PSK-P5T20	PSK-P5T20F
25	PSK-P5T25	PSK-P5T25F
32	PSK-P5T32	PSK-P5T32F
40	PSK-P5T40	PSK-P5T40F
50	PSK-P5T50	PSK-P5T50F
63	PSK-P5T63	PSK-P5T63F
80	PSK-P5T80	PSK-P5T80F
100	PSK-P5T100	PSK-P5T100F

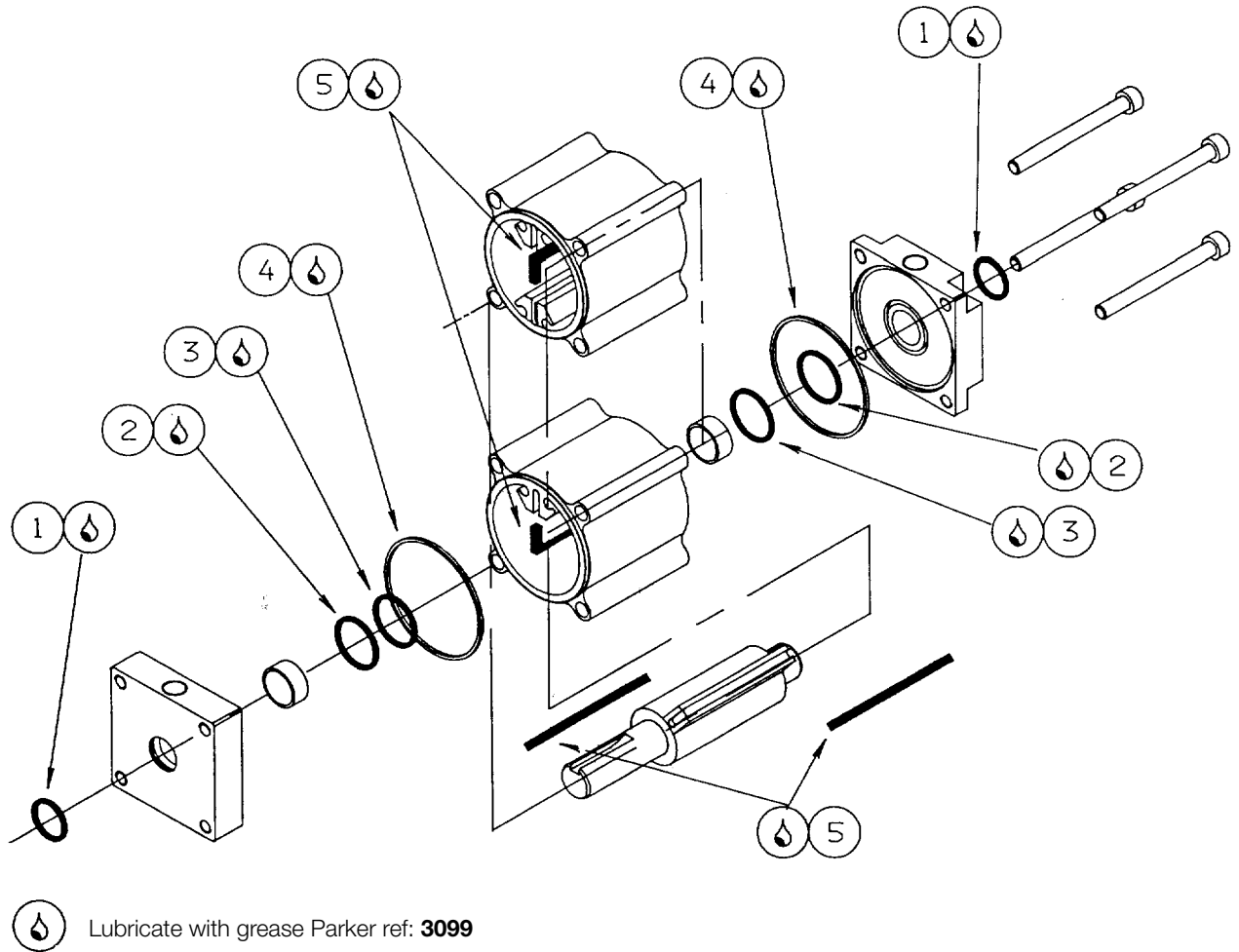


Grease for P5T

Standard temperature	High temperature
9127394541	9127394521



Repair kits



Size	Type	Part no.	Components				
			1 Shaft seal	2 Teflon seal	3 Shoulder seal	4 'O' ring	5 vane seal
10	Single	PSK-PV10	2	2	2	2	2
10	Double	PSK-PV10D	2	2	2	2	4
11	Single	PSK-PV11	2	2	2	2	2
11	Double	PSK-PV11D	2	2	2	2	4
22	Single	PSK-PV22	2	2	2	2	2
22	Double	PSK-PV22D	2	2	2	2	4
33	Single	PSK-PV33	2	2	2	2	2
33	Double	PSK-PV33D	2	2	2	2	4



Spare parts

Designation	Order code
Mounting plate for VGD15 seal kit / spare kits:	9127 3864-01
RA-2-SS	9121 6799-20
RA-4-SS	9121 6799-21
RA-8-SS	9121 6799-22
RA-12-SS	9121 6799-23
RA-20-SS	9121 6799-24



PRO Miniature Series

Maintenance kits

The maintenance kit consists in the vane shaft, shoe seal and shaft 'O' rings

Single vane		Double vane	
PROA3S	PRNA3S-PS	PROA3D	PRNA3D-PS
PROA10S	PRNA10S-PS	PROA10D	PRNA10D-PS
PROA20S	PRNA20S-PS	PROA20D	PRNA20D-PS
PRO30SE	PRN30S-PS	PRO30DE	PRN30D-PS

PRN Miniature Series

Maintenance kits

The maintenance kit consists in the vane shaft, shoe seal and shaft 'O' rings

Single vane		Double vane	
PRNA1S	PRNA1S-PS	PRNA1D	PRNA1D-PS
PRNA3S	PRNA3S-PS	PRNA3D	PRNA3D-PS
PRNA10S	PRNA10S-PS	PRNA10D	PRNA10D-PS
PRNA20S	PRNA20S-PS	PRNA20D	PRNA20D-PS
PRN30SE	PRN30S-PS	PRN30DE	PRN30D-PS

PRN High Torque Series

Maintenance kits

The maintenance kit consists in the vane shaft, shoe seal and shaft 'O' rings

Single vane		Double vane	
PRN050SE	PRN50S-PS	PRN50DE	PRN50D-PS
PRN150SE	PRN150S-PS	PRN150DE	PRN510D-PS
PRN300SE	PRN300S-PS	PRN300DE	PRN300D-PS
PRN800SE	PRN800S-PS	PRN800DE	PRN800D-PS

Repair Kits for Precision Slide Table

Size	Order code
12	P5SPM 012 C6RM
16	P5SPM 016 C6RM
20	P5SPM 020 C6RM
25	P5SPM 025 C6RM



Repair Kits for MPS and Locking

Size	Order code
12 to 25	P5SPM 000 C6RA

Obsolete

Hydrochecks

Repair Kits

Description	Order code
Repair kit for B181-1 or B181-2	B732-504
Repair kit for B181-5 or B181-6	B732-505
Repair kit for F3 Hydrocheck	JJF3

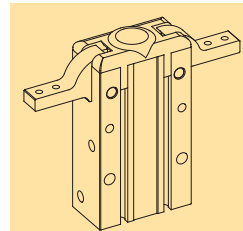
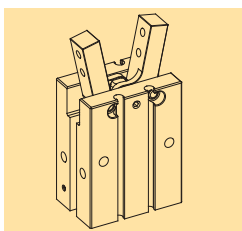
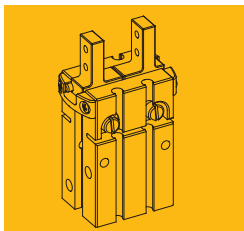


Seal Kit

Unit type	Order code
VB Ø36	JJVB36
VB Ø48	JJVB48
VBH Ø48	JJVBH48
VB Ø60	JJVB60
VBH Ø60	JJVBH60



Repair kits



Size	Parallel gripper	Angular gripper	Radial gripper
10	P5GCM10H6RM	P5GCM10K6RM	P5GCM10B6RM
16	P5GCM16H6RM	P5GCM16K6RM	P5GCM16B6RM
20	P5GCM20H6RM	P5GCM20K6RM	P5GCM20B6RM
25	P5GCM25H6RM	P5GCM25K6RM	P5GCM25B6RM

The kit contains seals.

Spare parts

Size	Parallel gripper	Angular gripper	Radial gripper
10	P5GCM10H6PS	P5GCM10K6PS	P5GCM10B6PS
16	P5GCM16H6PS	P5GCM16K6PS	P5GCM16B6PS
20	P5GCM20H6PS	P5GCM20K6PS	P5GCM20B6PS
25	P5GCM25H6PS	P5GCM25K6PS	P5GCM25B6PS

The kit contains the levers and their spindles.

Jaw-carriers

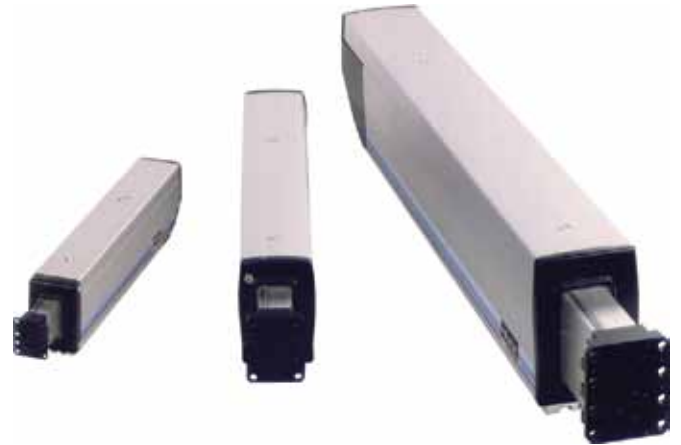
Size	Parallel gripper	Angular gripper	Radial gripper
10	P5GCM10H6P	P5GCM10K6P	P5GCM10B6P
16	P5GCM16H6P	P5GCM16K6P	P5GCM16B6P
20	P5GCM20H6P	P5GCM20K6P	P5GCM20B6P
25	P5GCM25H6P	P5GCM25K6P	P5GCM25B6P

The kit contains the jaw-carriers and their spindles.

Spares

Description	Order code
Seal kit (size 1)	3L1HA
Repair kit (size 1)	3L1H0
Seal kit (size 2)	3L2HA
Repair kit (size 2)	3L2H0
Seal kit (size 3)	3L3HA
Repair kit (size 3)	3L3H0
Spare Guide Kit (size 1)	9133021
Spare Guide Kit (size 2)	9133022
Spare Guide Kit (size 3)	9133023

Obsolete



Description	Order code
Repair Kit	3H2R3



Short Stroke Units (M16 and M25)

Description	Order code
Seal Kit	M16-3AR0
Seal Kit	M25-3AR0



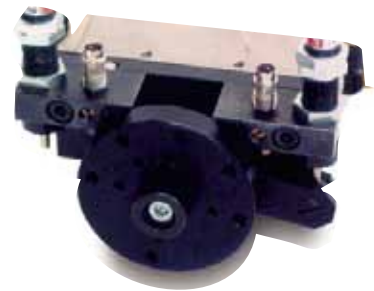
Obsolete

Spares No Longer Available



3D Wrist Rotate Units

Spares No Longer Available



MC-SC Shock Absorbers

Non repairable - Replace shock absorber



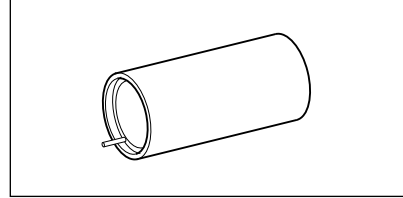
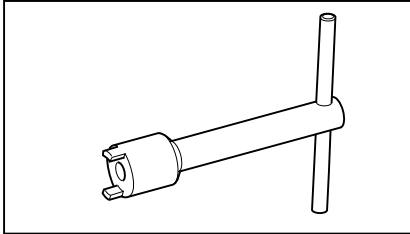
Description	Size	Order code
Seal Kits	1	3F1R0
	2	3F2R0
	3	3F3R0
MPS Seal Kits	1	3L1HA
	2	3L2HA
	3	3L3HA

Obsolete



Service kits for P1V-S motors

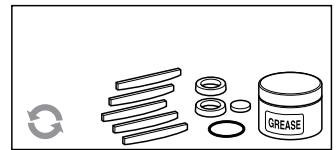
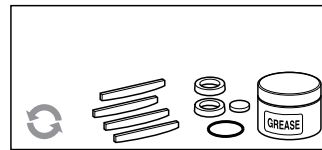
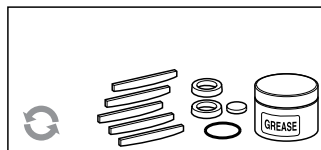
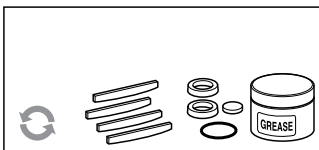
The following kits are available for the basic motors, consisting of vanes, (springs), silencers, O-rings, seals and 50 g of grease: (USDA-H1 approved):



Installation tools

For motor	Order code
P1V-S012	8204160049

For motor	Order code
P1V-S020, P1V-S030	8204160112



Service kit, vanes for intermittent lubrication-free operation

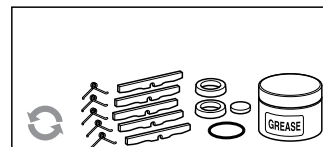
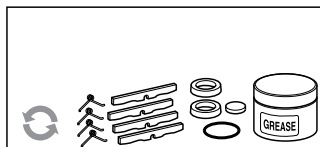
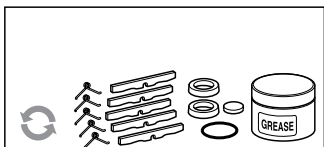
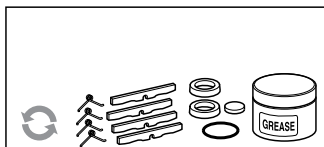
For motor	Order code
P1V-S002A	P1V-6/446083A
P1V-S008A	P1V-6/446084A
P1V-S012A/D0 (to serial no 948688)	9121720601
P1V-S012A/D0 (from serial no 948689)	9121720636
P1V-S020A/D0	9121720602
P1V-S030A/D0	9121720603
P1V-S060A0E00	9121720604
P1V-S060A0400	9121720604
P1V-S060A0270	9121720604
P1V-S060A0170	9121720604
P1V-S060A0072	9121720604
P1V-S060A0048	9121720605
P1V-S060A0030	9121720605
P1V-S060A0010	9121720605
P1V-S120A0800	9121720606
P1V-S120A0270	9121720606
P1V-S120A0110	9121720606
P1V-S120A0078	9121720607
P1V-S120A0032	9121720607
P1V-S120A0012	9121720607

Service kit, vanes for continuous lubrication-free operation, Option "C"

For motor	Order code
P1V-S012A/DC (to serial no 948688)	9121720608
P1V-S012A/DC (from serial no 948689)	9121720637
P1V-S020A/DC	9121720609
P1V-S030A/DC	9121720610
P1V-S060ACE00	9121720611
P1V-S060AC400	9121720611
P1V-S060AC270	9121720611
P1V-S060AC170	9121720611
P1V-S060AC072	9121720611
P1V-S060AC048	9121720612
P1V-S060AC030	9121720612
P1V-S060AC010	9121720612
P1V-S120AC800	9121720613
P1V-S120AC270	9121720613
P1V-S120AC110	9121720613
P1V-S120AC078	9121720614
P1V-S120AC032	9121720614
P1V-S120AC012	9121720614

Service kits for P1V-S motors

The following kits are available for the basic motors, consisting of vanes, (springs), silencers, O-rings, seals and 50 g of grease: (USDA-H1 approved):



Service kit, spring-loaded vanes for intermittent lubrication-free operation Option "Z"

For motor	Order code
P1V-S012A/DZ (to serial no 948688)	9121720615
P1V-S012A/DZ (from serial no 948689)	9121720638
P1V-S020A/DZ	9121720616
P1V-S030A/DZ	9121720617
P1V-S060AZE00	9121720618
P1V-S060AZ400	9121720618
P1V-S060AZ270	9121720618
P1V-S060AZ170	9121720618
P1V-S060AZ072	9121720618
P1V-S060AZ048	9121720619
P1V-S060AZ030	9121720619
P1V-S060AZ010	9121720619
P1V-S120AZ800	9121720620
P1V-S120AZ270	9121720620
P1V-S120AZ110	9121720620
P1V-S120AZ078	9121720621
P1V-S120AZ032	9121720621
P1V-S120AZ012	9121720621

Service kit, spring-loaded vanes for continuous lubrication-free operation Option "M"

For motor	Order code
P1V-S012A/DM (to serial no 948688)	9121720622
P1V-S012A/DM (from serial no 948689)	9121720639
P1V-S020A/DM	9121720623
P1V-S030A/DM	9121720624
P1V-S060AME00	9121720625
P1V-S060AM400	9121720625
P1V-S060AM270	9121720625
P1V-S060AM170	9121720625
P1V-S060AM072	9121720625
P1V-S060AM048	9121720626
P1V-S060AM030	9121720626
P1V-S060AM010	9121720626
P1V-S120AM800	9121720627
P1V-S120AM270	9121720627
P1V-S120AM110	9121720627
P1V-S120AM078	9121720628
P1V-S120AM032	9121720628
P1V-S120AM012	9121720628

Service kit for brake module for brake motors

For motor	Order code
P1V-S020AD and P1V-S030AD	P1V-6/446096A

Comment: To perform a full service on a brake motor, you will need a normal service kit as well as a service kit for the brake module

Service kits for drilling, milling and grinding motors

The following kits are available for the motors, consisting of vanes, (springs), silencers, O-rings, seals and 50 g of grease: (USDA-H1 approved):



Service kit

For drilling motor	Order code
P1V-S008N	P1V-6/446085A
P1V-S017N/M	P1V-6/446086A
P1V-S025N/M	P1V-6/446087A
P1V-S040M	P1V-6/446088A

For milling motor	Order code
P1V-S040N	P1V-6/446088A

For grinding motor	Order code
P1V-S020N	P1V-6/446090A

Service kits for basic motor

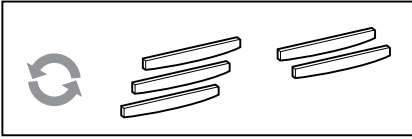
The following kits are available for the basic motors, consisting of vanes, O-rings and springs:

Service kit, vanes for intermittent lubrication-free operation

For motor	Order code
P1V-A160A0900	9121720630
P1V-A260A0700	9121720631
P1V-A360A0600	9121720632

Service kit, vanes for continuous lubrication-free operation, option "C"

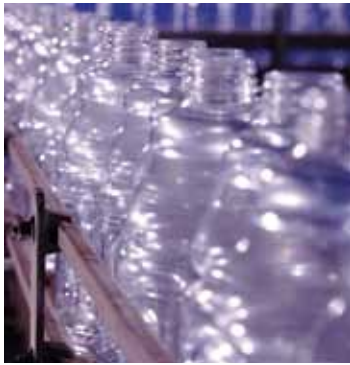
For motor	Order code
P1V-A160AC900	9121720633
P1V-A260AC700	9121720634
P1V-A360AC600	9121720635

P1V-M**Service kit**

For motor	Order code
P1V-M020	P1V-6/831297A
P1V-M040	P1V-6/831298A
P1V-M060	P1V-6/831299A

Description	Order code
Repair Kit	CH20R
Repair Kit	CH25R
Repair Kit	CH32R
Repair Kit	CH40R
Repair Kit	CH50R
Repair Kit	CH63R
Repair Kit	CH80R





Control Devices

B3,B4 and B5 Spool/Body repair kits contain:

- Spool
- Spool seals
- Lip seal – operator pistons
- Gaskets
- Spool springs
- Grease packet

B3 series valves

3/2 solenoid and remote air pilot operated valves -Spool/Body Repair kit	PS2971F
5/2 solenoid and remote air pilot operated valves -Spool/Body Repair kit	PS2901F
5/3 APB solenoid and remote pilot operated valves - Spool/Body Repair kit	PS2902F



for solenoid operator & coil, see **15 mm** Solenoid range at the end of the Control Device chapter

Manifold gasket kits

3/2 IEM Gasket kit (10 valve/manifold gaskets)	PS2980F
5/2 IEM Gasket kit (10 valve/manifold gaskets)	PS2981F

B4 series valves

3/2 solenoid and remote air pilot operated valves - Spool/Body Repair kit	PS4571F
5/2 solenoid and remote air pilot operated valves - Spool/Body Repair kit	PS4501F
5/3 solenoid and remote pilot operated valves – APB Spool/Body Repair kit	PS4502F
5/3 solenoid and remote pilot operated valves – CE Spool/Body repair kit	PS4503F
5/3 solenoid and remote pilot operated valves – PC Spool/Body repair kit	PS4504F



for solenoid operator & coil, see **15 mm** Solenoid range at the end of the Control Device chapter

Manifold gasket Kits.

3/2 IEM Gasket Kit (10 valve/manifold gaskets)	PS4580F
5/2 IEM Gasket Kit (10 valve/manifold gaskets)	PS4581F

B5 series valves

3/2 solenoid and remote air pilot operated valves - Spool/Body Repair kit	PS2871P
5/2 solenoid and remote air pilot operated valves - Spool/Body Repair kit	PS2801P
5/3 solenoid and remote pilot operated valves – APB Spool/Body Repair kit	PS2802P
5/3 solenoid and remote pilot operated valves – CE Spool/Body repair kit	PS 2803P
5/3 solenoid and remote pilot operated valves – PC Spool/Body repair kit	PS2804P



for solenoid operator & coil, see **22 mm** Solenoid range at the end of the Control Device chapter

Manifold gasket Kits.

3/2 & 5/2 IEM Gasket kit PS2884P (10 valve/manifold gaskets)	PS2884P
--	----------------

Gaskets

for mounting between power valves and 15mm solenoid actuators

Description	Order code
Set of 10 gaskets	P2LXSK1



Seal Repair Kit

Order Code

107

for solenoid operator & coil,
see **22 mm** Solenoid range at the
end of the Control Device chapter



VA Valves



Service and Replacement Parts

VA Series Heavy Duty Valves

Order code	Repair Kit
9128674100	Body seals (6 pcs. 'O' Ring)

G1/8 Poppet Valves



Repair kits

Description	Order code
Mechanically, manually and air pilot operated valves	43608
Diaphragm operated valves	43608B

Solenoid



Description	Order code
24VCD	P2FP23N4C + P2FCA449
24VAC	P2FP23N4C + P2FCA442
110VAC	P2FP23N4C + P2FCA453
220VAC	P2FP23N4C + P2FCA457



Solenoid



Description	Order code
24VCD	250CMTF
24VAC	250CMTA
48VAC	250CMTC
110VAC	250CMS
220VAC	250CMTL

Gaskets

for mounting between power valves and subbases



Description	Order code
for ISO 1 valves	19104-9
for ISO 2 valves	29104-9
for ISO 3 valves	39104-9

Spares Kit



Description	Order code
for ISO 1 valves	19107
for ISO 2 valves	29107
for ISO 3 valves	39107



for Solenoid operator & coil concerning

VG25-**E**xxxx / VG25-**XE**xxxx / VG25-**YE**xxxx
 VG35-**E**xxxx / VG35-**XE**xxxx / VG35-**YE**xxxx
 VG45-**E**xxxx / VG45-**XE**xxxx / VG45-**YE**xxxx

see **22 mm** Solenoid range at the end of this chapter



for Solenoid operator & coil concerning

VG25-**A**xxxx / VG25-**XA**xxxx / VG25-**YA**xxxx
 VG35-**A**xxxx / VG35-**XA**xxxx / VG35-**YA**xxxx
 VG45-**A**xxxx / VG45-**XA**xxxx / VG45-**YA**xxxx

see **30 mm** CNOMO Solenoid range at the end of this chapter

VG25 Seals



VG25 Sleeve + Spool + Seal kit
 (all VG25 valves except 5/3 closed centre)

P2N-A6/S90066

Valve to sub-base - VG25 seals (x10) kit

P2N-A6/S90069

VE35 Complete seals kit



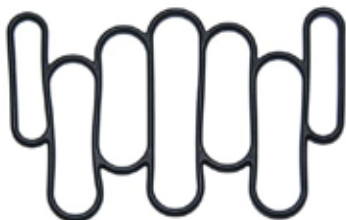
VG35 Sleeve + Spool + Seal kit
 (all VG35 valves except 5/3 closed centre)

P2N-B6/S90070

Valve to sub-base - VG35 seals (x10) kit

P2N-B6/S90073

VG45 Seals



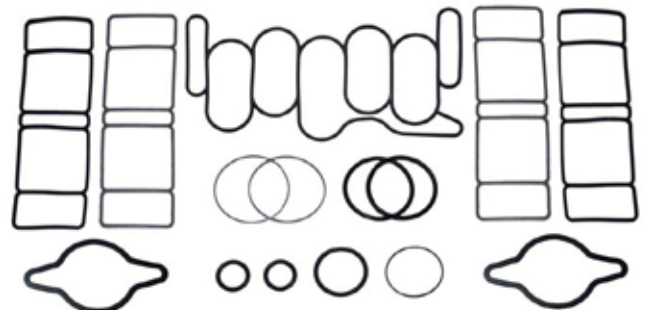
VG45 Sleeve + Spool + Seal kit
 (only 5/2 VG45 valves)

P2N-C6/S90074

Valve to sub-base - VG45 seals (x10) kit

P2N-C6/S90077

VE45 Complete seals kit



9121558480

Adaptor for 15mm solenoid operator



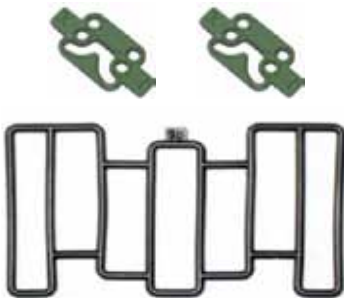
Description	Order code
For 15mm solenoid operator	58DX-70/6291

Cover Plate



Description	Order code
Batch of 20	JBDX00/020-A

External seals kit



Description	Order code
for DX1 valves	JJDX10-A
for DX2 valves	JJDX20-A
for DX3 valves	JJDX30-A

Gaskets



for mounting between power valves and solenoid actuators

Description	Order code
Set of 20 gaskets	PPR-V20

Operator adapter



Description	Order code
Batch of 20	P2FNS



for Solenoid operator & coil, see **15mm / 22 mm / 30 mm** solenoid range at the end off the Control Device chapter

Cover Screws (batch of 40)

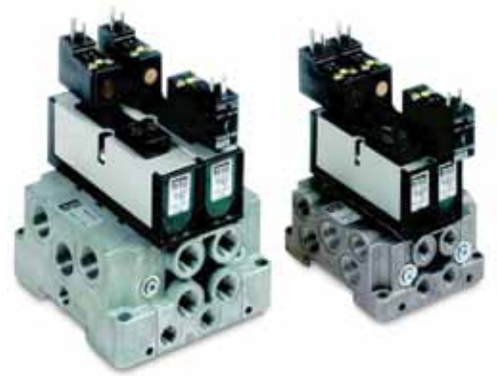


Description	Order code
for DX1 valves	JCVDX1
for DX2 valves	JCVDX2/3
for DX3 valves	JCVDX2/3

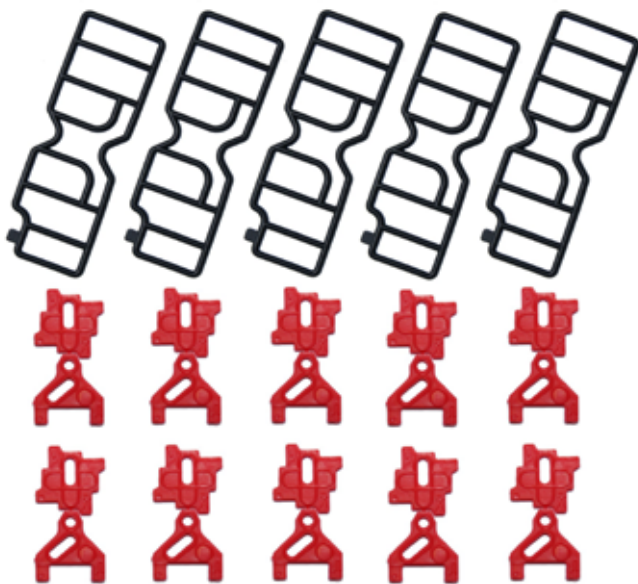
Complete seal kit



Description	Order code
for DX1 valves	JJDX15-A
for DX2 valves	JJDX25-A
for DX3 valves	JJDX35-A

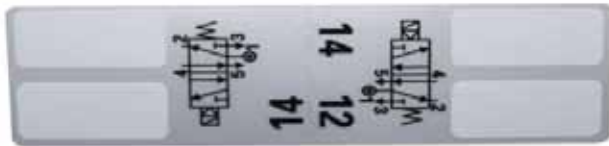


for solenoid operator & coil,
see **15 mm** Solenoid range at the
end of the Control Device chapter



Description	Order code
Seal kit for DX01 x 5 valve to sub-base gasket x 10 pilot supply selector	PPR-V63

Valve Labels - Set of 10



Description	Order code
5/2 single solenoid	PSM002E
5/2 double solenoid	PSM0022
5/3 double solenoid	PSM0025
Dual 3/2 double solenoid NC/NC	PSM002N
Dual 3/2 double solenoid NO/NO	PSM002P
Dual 3/2 double solenoid NC/NO	PSM002Q

Internal manifold seal plate (x1)



Order code

PSM0001

PSM0002

PSM0003

PSM0004

Manual override caps



Description Order code

Set of 10 **PSM0011**



Solenoid kit



Description Order code

24 VDC **PSM0010**

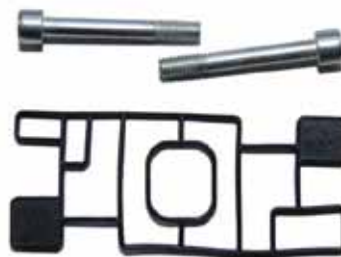
Manifold to manifold M3 screws



Description Order code

Set of 10 M3 screws **PSM0014**

Valve to manifold gasket



Description Order code

Set of 5 gaskets and 10 screws **PSM0012**

M7 plugs for auxilliary and pilot pressure ports



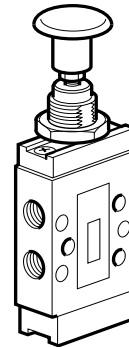
Description Order code

Set of 10 M7 plugs **PSM0013**

Service and Replacement Parts

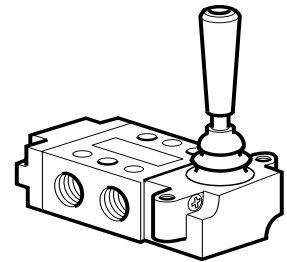
B43 Series Manually Operated Valves

Order code	Actuator	Replacement actuator	Repair kit
B43003BXS	Button	43004BX-100	Body seal
B43004BXS	Button		
B43004HXS	Button, Push/Pull	43004H-100	43007A
B43003LS	Lockdown lever		
B43004LS	Lockdown lever	43004L-200	



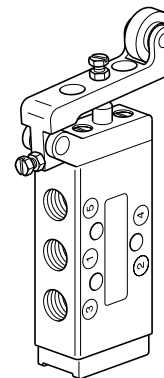
B53 Series Manually Operated Valves

Order code	Actuator	Replacement actuator	Repair kit
B53003HXS	Button	53004HX-100	Body seal
B53004HXS	Button		
B53003HX	Button, Push/Pull		
B53004HX	Button, Push/Pull		
B53004HXX	Button, Self centring		
B53004HXY	Button, Self centring		
B53004HXZ	Button, Self centring		
B53003FS	Foot	53004F-100	
B53004FS	Foot		
B53003LS	Lever	53004L-198	
B53004LS	Lever		
B53003LT	Lever, 2 positions	53004L-196	Body seal
B53004LT	Lever, 2 positions		53007
B53004L	Lever, 3 positions	53004L-100	Lever kit
B53004LW	Lever, 3 positions		53004L-300R
B53004LX	Lever, Self centring	53004L-198	
B53004LY	Lever, Self centring		



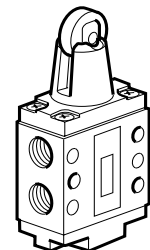
B43 Series Mechanically Operated Valves

Order code	Actuator	Replacement actuator	Repair kit
B43003CS	Plunger	43004C-100	Body seal
B43004CS	Plunger		
B43003RS	Roller Lever	43004R-200	43007A
B43004RS	Roller Lever		



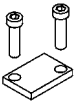



B53 Series Mechanically Operated Valves

Order code	Actuator	Replacement actuator	Repair kit
B53003CS	Plunger	53004C-100	Body seal
B53004CS	Plunger		
B53003RS	Roller	53004R-100	53007
B53004RS	Roller		



for solenoid operator & coil,
see **15 mm & 22 mm** Solenoid
range at the end of the Control
Device chapter




Accessories P2LA	Type	Weight kg	Order code
	Blanking plate, P2LA for Pressure bar	0,05	9121658074
	Assembly screws, P2LA in stainless steel for valve	0,02	9121658043
	Assembly screws, P2LA in stainless steel for blanking plate	0,01	9121658044
	O-ring kit, P2LA O-rings between valve and manifold bar/Pressure bar	0,01	9121658046

Adaptor for 15mm solenoid operator




Description	Order code
For 15mm solenoid operator	P2FA22-15

Screws
Self tapping Ø3 26,2mm length (stainless steel)
for mounting 15mm solenoid

Description	Order code
 Set of 10 screws	P2E-KD027SS3

Gaskets
for mounting between power valves and 15mm
solenoid actuators

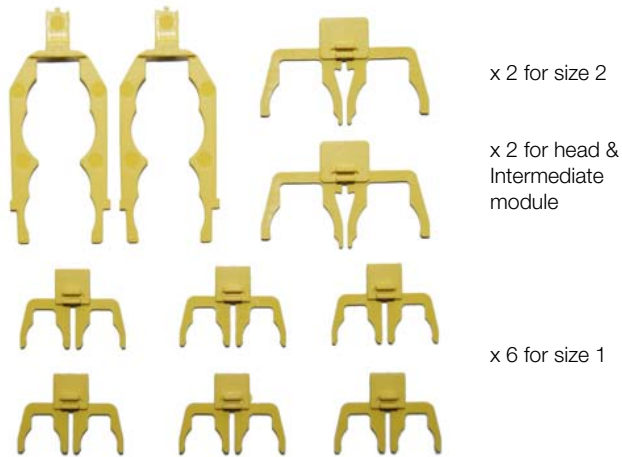
Description	Order code
 Set of 10 gaskets	P2LXSK1

Spare kit



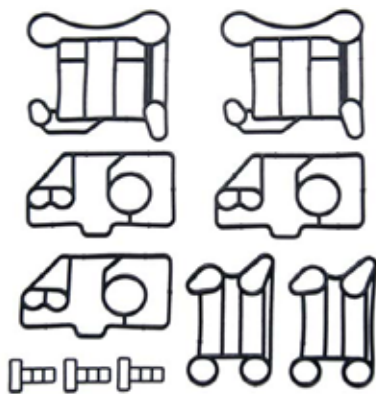
Description	Order code
for 5/2 P2LAX valves	P2LAXSK1
for 5/3 P2LAX valves	P2LAXSK2
for 5/2 & 5/3 P2LBX valves	P2LBXSK1
for 5/2 & 5/3 P2LCX valves	P2LCXDXSK1
for 5/2 & 5/3 P2LDX valves	P2LCXDXSK1

Clips



Description	Order code
Set of 10 Clips	P2M2K0CA

External seal kit



Description	Order code
x 2 under valve size 2	P2M2K0JA
x 3 inter island subbase	
x 2 under valve size 1	
x 3 under solenoid pilot	

Bus head module without module adaptor



Description	Order code
Profibus DP	P2M2HBVP01600
DeviceNet	P2M2HBVD01600
CANopen	P2M2HBVC01600

Head Clip Covers



Description	Order code
Set of 10 clips cover for head P2M2HXT01	P2M2K0HA



Valve Pilot

Description	Order code
Solenoid pilot - 24 VDC	P2D8V32C5
Pneumatic pilot	P2M2K0PA

Valve size 1 module without solenoid & without subbase

Description	Order code
4/2 single solenoid valve	P2M1X4ES
4/2 double solenoid valve	P2M1X4EE
Double 3/2 NC/NC valve	P2M1XDDE
Double 3/2 NO/NO valve	P2M1XCEE
Double 3/2 NC/NO valve	P2M1XEEE
Single 3/2 NC valve	P2M1X3ES
4/3 CE = double 3/2 NC/NC valve without exhaust check valve	P2M1XGEE

Valve size 2 module without solenoid & without subbase

Description	Order code
4/2 single solenoid valve	P2M2X4ES
4/2 double solenoid valve	P2M2X4EE
Double 3/2 NC/NC valve	P2M2XDDE
Double 3/2 NO/NO valve	P2M2XCEE
Double 3/2 NC/NO valve	P2M2XEEE
Single 3/2 NC valve	P2M2X3ES
4/3 CE = double 3/2 NC/NC valve without exhaust check valve	P2M2XGEE

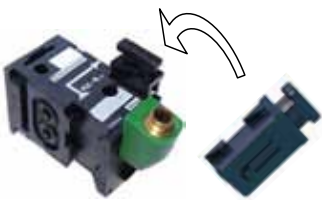
Isolation forks

Description	Order code
Set of 10 for solenoid pilot manual override	P2M2K0FA



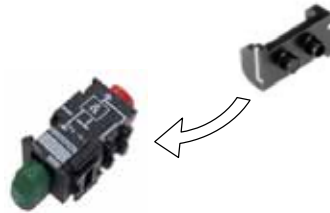
Inter module locks

Description	Order code
Batch of 50	PPR-L06
For components	
PLE-B12	PLL-B12
PLK-B12	PLN-B12



Circuit selectors for combinable logic elements

Description	Order code
Batch of 50	PPR-L10
For components	
PLL-B12	PLN-B12
PLK-B12	



O-rings for subbase mounted

Description	Order code
Batch of 100 (10 + 90)	PPR-L04
10 O-rings for port with filter	
90 O-rings for port without filter	
For components	
PLJ-C10	PLK-C10
PLN-D10	PRF-A10
PLN-C10	PRT • • •
PLL-C10	



Rail clamping components

Description	Order code
Batch of 20	PPR-L09
For components	
PSE-A12	



Exhaust filter

Exhaust Filter	
Batch of 20	PPR-L20
Input filter	
Batch of 20	PPR-L23
For components	
PRT • • •	

O-rings for sequencer components and combinable logic elements

Description	Order code
Batch of 100	PPR-L11
10 O-rings for port with filter	
90 O-rings for port without filter	
For components	
PLL-B12	PLE-B12
PSB-A12	PSM-A12
PSE-A12	PLN-B12
	PSD-A12
	PSD-B12
	PLK-B12



Plugs for 3 or 4 port subbases

Description **Order code**

Batch of 50 **PPR-L05**



Inter module locks for 3 or 4 port subbases

Description **Order code**

Batch of 50 **PPR-L07**

For components

PZU-A12 PZU-B12

PZU-C12

Flat gaskets for step module and Interlock module

Description **Order code**

Batch of 10 **PPR-L01**



For components

PSB-A12 PSM-A12

PSV-A12

Flat gaskets for 4 port subbases

Description **Order code**

Batch of 10 **PPR-L02**



For components

PZU-B12 PLM-A12

PRD-A12

Clear plastic window

Description **Order code**

Batch of 10 **PPR-X01**



For components

PXV-F • • •

Mylar diaphragms for amplifier relays

Description **Order code**

Batch of 10 **PPR-L08**

For components

PRD-A12 PRD-A12

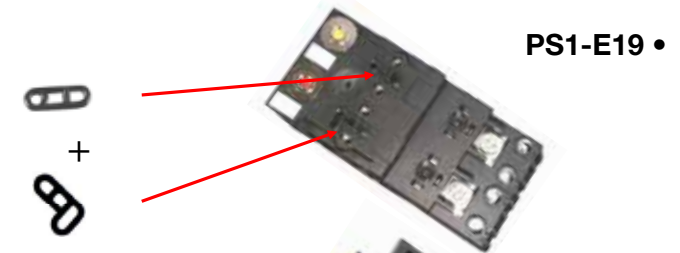
On Interface 3/2 or 4/2 single solenoid

Description	Order code
Batch of 20 seals between valve bodies and 15mm solenoid or PVA-P111 connector	PPR-V20
Batch of 100 O-ring seals for pressure and exhaust commons	PPR-L12



On Interface 4/2 double solenoid

Description	Order code
Batch of 25 seals type A coming between valve body and 1 solenoid +25 seals type B coming between valve body and the other solenoid	PPR-L13



On head interface

Description	Order code
DIN rail clip assembly	PPR-L09





Spare mounting and assembly kits

	Description	Valve size	Port size	Order code
	Kit for sealing the inlet/exhaust common gallery including : - 3 common blanking plugs - 2 drilled and threaded rods - 2 screws for extended tie rod	PVL-B		PVL-B1901
		PVL-C		PVL-C1901
	Pack of 10 common blanking	PVL-B		PVL-B1902
		PVL-C		PVL-C1902

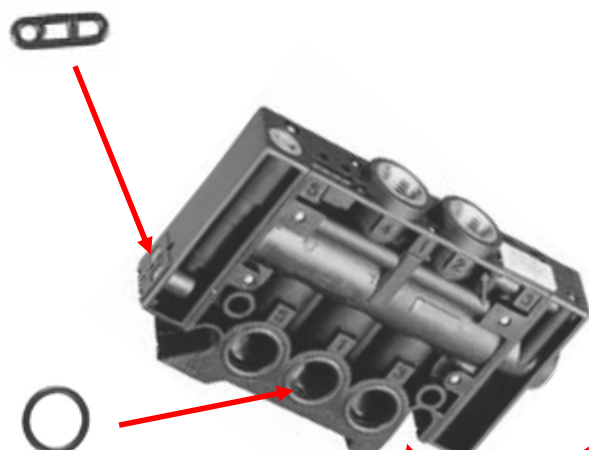
Spare set of solenoid mounting screws

Type	Material	Ø (mm)	Length (mm)	Order code
Metric	Steel, passivated	M3	26	P2E-KP026PM3*

* Sold by lot of 10 pieces

Valve series	Gaskets
PVL-A	PPR-L21 obsolete
PVL-B	PPR-V20
PVL-C	PPR-V20

Gaskets seal between pilot and valve body. Sold as one set of 20 gaskets.



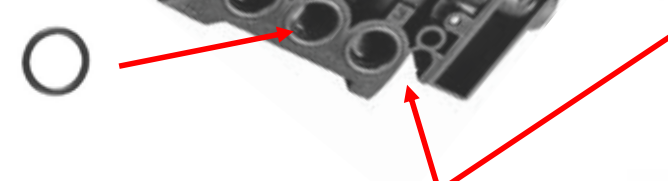
Valve series	Cross rods
PVL-A	PPR-V31 obsolete
PVL-B	PPR-V21
PVL-C	PPR-V22

Used in valve stack mounting. Sold as 1 set of 10 cross rods.



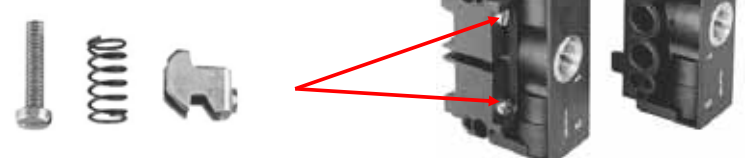
Valve series	O-ring
PVL-A	PPR-V30 obsolete
PVL-B	PPR-V23
PVL-C	PPR-V24

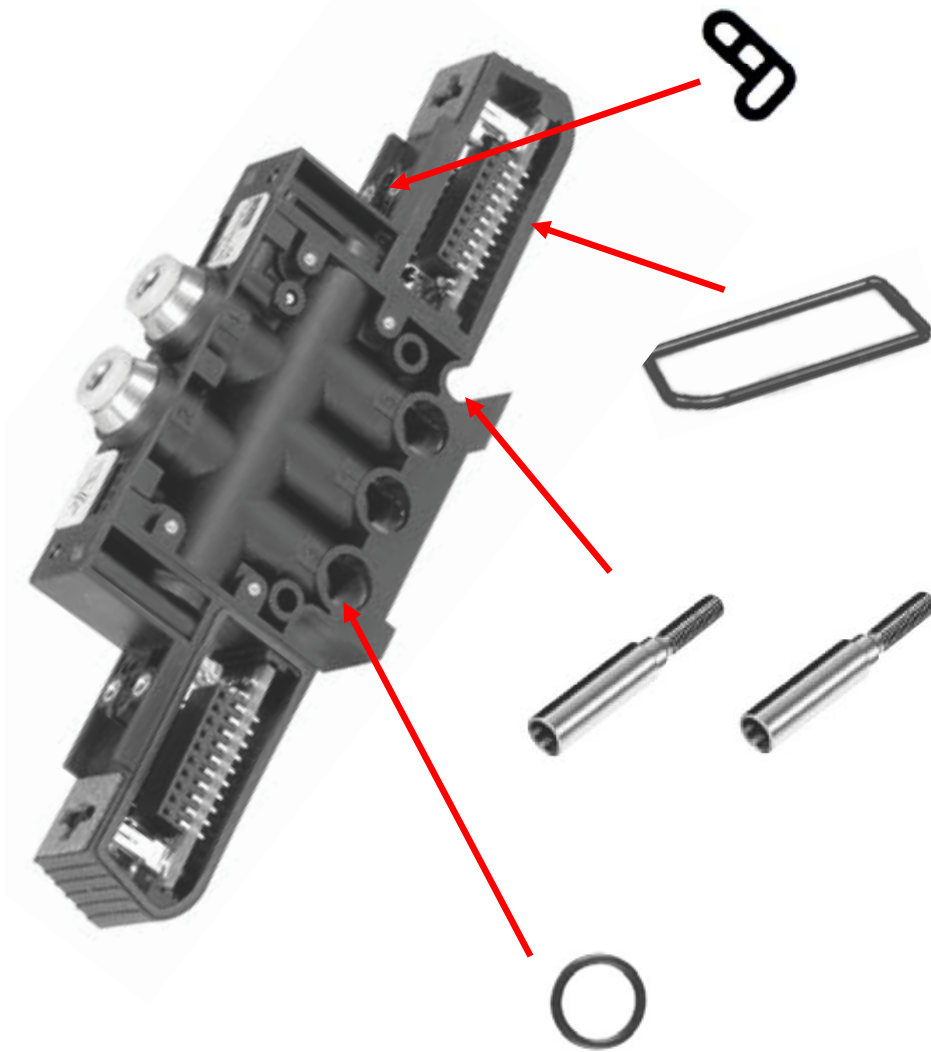
O-rings seal between stackable valve bodies. Sold as set of 30.



DIN rail clip assembly	PPR-L09
------------------------	---------

Assembly includes: clamp, screw and spring
Sold as set of 20.





Valve series	O-rings
PVL-B10	PPR-V41
PVL-C10	PPR-V41

Gaskets seal between solenoid pilot and valve body. Sold as one set of 50 gaskets.

Valve series	O-rings
PVL-B10	PPR-V38
PVL-C10	PPR-L36 Obsolete

Connector gaskets provide protection for PC board and 20-Pin connector. PPRV38 sold as one set of 20 gaskets.

Valve series	Cross rods
PVL-B10	PPR-V21
PVL-C10	PPR-V22

Used in valve stack mounting. Sold as 1 set of 10 cross rods.

Valve series	O-rings
PVL-B10	PPR-V23
PVL-C10	PPR-V24

O-rings seal between stackable valve bodies. Sold in set of 30.

Set of 20 blanking plugs **PPR-V27**

Set of 20 gaskets for mounting between power valves and solenoid actuators **PPR-V20**

	Valve 4/2			Valve 3/2		Valve 2/2	
For mounting	Size 1/8	Size 1/4	Size 1/2	Size 1/4	Size 1/2	Size 1/4	Size 1/2
Between subbase	PVU-B14xx	PVU-C34xx	PVU-E14xx	PVU-C33xx	PVU-E13xx	PVU-C32xx	PVU-E12xx
and power valve	PVD-B14xx	PVD-C34xx	PVD-E24xx	PVS-C33xx	PVS-E23xx	PVP-C32xx	PVP-E22xx
Batch of 10 gaskets	PVR-V02	PVR-V28	PPR-V04	PPR-V29	PPR-V06	PPR-V29	PPR-V06

For mounting	Size 1/8	Size 1/4	Size 1/2	20 O-ring seals for ports 1 and 3 + 10 O-ring seals for px port	
Between subbase	PVU-Bxxxx	PVU-Cxxxx	PVU-Exxxx		
Batch of 30 O-ring	PVR-V07	PVR-V08	PPR-V09		



PXB-B1

PXB-B2

Ø 4mm Instant straight connections



Normally non passing (NNP)		PXB-B1911	PXB-B2911
Normally passing (NP)		PXB-B1921	PXB-B2921

M5 thread connections



Normally non passing (NNP)		PXB-B1915	PXB-B2915
Normally passing (NP)		PXB-B1925	PXB-B2925

Ø 6mm Instant straight connections



Normally non passing (NNP)		PXB-B1916	PXB-B2916
Normally passing (NP)			PXB-B2926

Ø 4mm Instant swivel connections







Normally non passing (NNP)		PXB-B1912	PXB-B2912
Normally passing (NP)		PXB-B1922	PXB-B2922

Electrical switch bodies



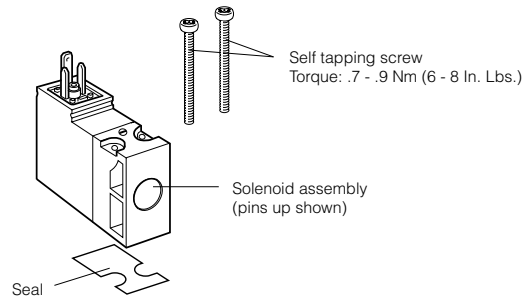
Normally Open (NO)		ZB2-BE101
Normally Closed (NC)		ZB2-BE102

P2E - Spare Parts

	<p>P2E-XXXXXX</p>	<p>Used for :</p>
	<p>50 + 50 Ref : PPR-L35</p>	<p>DX01 / DX02</p>
	<p>X20 Ref : PPR-V20 X250 Ref : PPR-L18</p>	<p>PS1 (3/2) / PVL / PVD / P2V / P2L</p>
	<p>25 + 25 Ref : PPR-L13</p>	<p>PS1 (4/2) / P25 / PVL-B10 / PVL-C10</p>
	<p>X50 Ref : PPR-V41</p>	<p>PS1 (4/2) / P2S / PVL-B10 / PLV-C10</p>
	<p>X10 Ref : P2LXSK1</p>	<p>P2L-A / P2LAX / P2LBX / P2LCX / P2LDX</p>
	<p>Metric M3 26mm length (material : steel) X10 Ref : P2E-KP026PM3</p>	<p>PS1 / PVL / PVD-B / DX01 / DX02</p>
	<p>Self tapping O3 26,2mm length (stainless steel) X10 Ref : P2E-KD027SS3</p>	<p>P2L-A / P2LAX / P2LBX / P2LCX / P2LDX</p>

15mm Solenoid Operators

Electrical connection EN175301-803 C/ISO15217 (Ex DIN 43650C)



(Note! Mounting screws included in basic valve)

Solenoids 15 mm NC, standard

Voltage	Weight Kg	Order code		Weight Kg	Order code		Weight Kg	Order code	
		Without manual override			Override, blue, non locking flush			Override, yellow, locking flush	
	12 VDC	0,038	P2E-KV32B0	0,038	P2E-KV32B1	0,038	P2E-KV32B2		
	24 VDC	0,038	P2E-KV32C0	0,038	P2E-KV32C1	0,038	P2E-KV32C2		
	48 VDC	0,038	P2E-KV32D0	0,038	P2E-KV32D1	0,038	P2E-KV32D2		
	24 VAC 50Hz	0,038	P2E-KV31C0	0,038	P2E-KV31C1	0,038	P2E-KV31C2		
	48 VAC 50/60Hz	0,038	P2E-KV34D0	0,038	P2E-KV34D1	0,038	P2E-KV34D2		
	115 VAC 50Hz/ 120 VAC 60Hz	0,038	P2E-KV31F0	0,038	P2E-KV31F1	0,038	P2E-KV31F2		
	230 VAC 50Hz/ 240 VAC 60Hz	0,038	P2E-KV31J0	0,038	P2E-KV31J1	0,038	P2E-KV31J2		

Voltage	Weight Kg	Order code	Weight Kg	Order code
24 VDC	0,038	P2E-KV32C3	0,038	P2E-KV32C4
24 VAC 50Hz	0,038	P2E-KV31C3	0,038	P2E-KV31C4

Solenoids 15 mm NC, mobile

(Note! Mounting screws included in basic valve)

Voltage	Weight Kg	Order code	Weight Kg	Order code
12 VDC	0,038	P2E-MV35B0	0,038	P2E-MV35B1
24 VDC	0,038	P2E-MV35C0	0,038	P2E-MV35C1
37,5 VDC	0,038	P2E-MV35W0	0,038	P2E-MV35W1
48 VDC	0,038	P2E-MV35D0	0,038	P2E-MV35D1
72 VDC	0,038	P2E-MV35T0	0,038	P2E-MV35T1
78 VDC	0,038	P2E-MV35Y0	0,038	P2E-MV35Y1
96 VDC	0,038	P2E-MV35V0	0,038	P2E-MV35V1
110 VDC	0,038	P2E-MV35E0	0,038	P2E-MV35E1

Solenoids 15 mm NC, food industry version

(Note! Mounting screws included in basic valve)

Voltage	Weight Kg	Order code	Weight Kg	Order code	Weight Kg	Order code
24 VDC	0,038	P2E-QV32C0	0,038	P2E-QV32C1	0,038	P2E-QV32C2
48 VDC	0,038	P2E-QV32D0	0,038	P2E-QV32D1	0,038	P2E-QV32D2
24 VAC 50Hz	0,038	P2E-QV31C0	0,038	P2E-QV31C1	0,038	P2E-QV31C2
48 VAC 50/60Hz	0,038	P2E-QV34D0	0,038	P2E-QV34D1	0,038	P2E-QV34D2
115 V 50Hz/ 120 V 60Hz	0,038	P2E-QV31F0	0,038	P2E-QV31F1	0,038	P2E-QV31F2
230 VAC 50Hz/ 240 VAC 60Hz	0,038	P2E-QV31J0	0,038	P2E-QV31J1	0,038	P2E-QV31J2

Voltage	Weight Kg	Order code	Weight Kg	Order code
24 VDC	0,038	P2E-QV32C3	0,038	P2E-QV32C4
24 VAC 50Hz	0,038	P2E-QV31C3	0,038	P2E-QV31C4
115 VAC 50 Hz	0,038	P2E-QV31F3	0,038	P2E-QV31F4
230 VAC 50 Hz	0,038	P2E-QV31J3	0,038	P2E-QV31J4

In accordance with the EU Machine Directive, EN 983, solenoid valves with manual override should have spring-return operating arms for safety.

22mm solenoid operator part numbers and spares

Solenoid coils for 22mm solenoid operators

Voltage	Order code Form A	Weight (Kg)	Order code Form B	Weight (Kg)
12V 60Hz			P2FCB440	0.093
24V 50/60Hz			P2FCB442	0.093
12V DC			P2FCB445	0.093
12V DC Mobile	P2FCA447	0.17	P2FCB447	0.093
24v DC Mobile	P2FCA448	0.17	P2FCB448	0.093
24V DC			P2FCB449	0.093
24V DC Low power			P2FCB249	0.093
48V DC			P2FCB451	0.093
110V/50Hz, 120V/60Hz			P2FCB453	0.093
230V/50Hz, 230V/60Hz			P2FCB457	0.093

Note: Mobile solenoids are only suitable for Viking Xtreme valves with 'H' specification having 0,8/1,0 operator type P2FP13H4D

Spare Solenoid Nuts

Valves requiring captured exhaust should be fitted with plastic knurled nut

Order code
P2FNP

Valves with vented exhaust are fitted with diffuser plastic nut

Order Code
P2FND

Spare Solenoid Operators

**Solenoid pilot operator 22mm NC, Normal duty
(Max Operating pressure 10bar, Temp -10°C to +50°C)**

Order code (with locking bi-stable m/o)	weight Kg	Order code (with Non-locking monostable m/o)	weight Kg
P2FP13N4C	0.05kg	P2FP13N4D	0.05kg

**Low power pilot operator NC, Normal duty
(Max Operating pressure 10bar, Temp -10°C to +50°C)**

Order code (with locking bi-stable m/o)	weight Kg	Order code (with Non-locking monostable m/o)	weight Kg
P2FP13N2C	0.05kg	P2FP13N2D	0.05kg

**Solenoid pilot operator 22mm NC, Xtreme duty
(Max Operating pressure 16bar, Temp -40°C to +60°C)**

Order code (with Non-locking monostable m/o)	weight Kg
P2FP13H4D	0.05kg

Note.

Solenoid pilot operators are fitted to the Viking valve range. Order the above part numbers for spares. The operators are supplied with mounting screws and interface 'O' rings.

Coils and connectors must be ordered separately.

Solenoid coils with Din A or Industrial connection

Voltage	Order code Din A Standard 30 x 30	Weight (kg)	Order code Din A Mobile 30 x 30	Weight (kg)	Order code Industrial standard 22 x 30	Weight (kg)
Direct current						
12V DC	P2FCA445	0.105	P2FCA447	0.105	P2FCB445	0.093
24V DC	P2FCA449	0.105	P2FCA448	0.105	P2FCB449	0.093
48V DC	P2FCA453*	0.105	P2FCA474	0.105	P2FCB451	0.093
72V DC			P2FCA470	0.105		
96V DC			P2FCA471	0.105		
110V DC			P2FCA472	0.105		
Alternative current						
12V 50/60Hz	P2FCA440	0.105			P2FCB440	0.093
24V 50/60Hz	P2FCA442	0.105			P2FCB442	0.093
48V 50/60Hz	P2FCA469#	0.105				
110V 50Hz, 120V 60Hz	P2FCA453	0.105			P2FCB453	0.093
230V 50Hz, 230V 60Hz	P2FCA457	0.105			P2FCB457	0.093

* P2FCA453 is compatible with 110 V AC and 48 V DC

P2FCA469 is 24 V DC 6.8W or 48 V 50Hz 9.9 VA

Solenoid coils with M12 connection

Voltage	Order code 30 x 30	Weight (kg)	Order code 22 x 30	Weight (kg)
Direct current				
24V DC	P2FC6419	0.065	P2FC7419	0.065

Spare Solenoid Nuts

Valves requiring captured exhaust should be fitted with plastic knurled nut

Order code

P2FNP

Valves with vented exhaust are fitted with diffuser plastic nut

Order Code

P2FND

Spare Solenoid Operators

Solenoid pilot operator CNOMO NC

Description	Order code No manual override	Weight (kg)	Order code Non-lock manual override	Weight (kg)	Order code Locking manual override	Weight (kg)
Standard duty	P2FP23N4A	0.065	P2FP23N4B	0.065	P2FP23N4C	0.065
Mobile metal	P2FP43M4A	0.1	P2FP43M4B	0.1	P2FP43M4C	0.1

Note.

The operators are supplied with mounting screws and interface 'O' rings.

Coils and connectors must be ordered separately.



Air Preparation & Airline Accessories



P3H - Filters

Service kits

Description	Order code
5 micron element kit	P3HKA00ESE
40 micron element kit	P3HKA00ESG
Sight glass & manual drain kit	P3HKA00BSM
Sight glass & semi-auto drain kit	P3HKA00BSS

P3K - Filters

Service kits

Description	Order code
5 micron element kit	P3KKA00ESE
40 micron element kit	P3KKA00ESG
Sight glass & manual drain kit	P3KKA00BSM
Sight glass & semi-auto drain kit	P3KKA00BSS
Sight glass & auto drain kit	P3KKA00BSA

P3M - Filters

Service kits

Description	Order code
5 micron element kit	P3MKA00ESE
Sight glass & manual drain kit	P3MKA00BSM
Sight glass & semi-auto drain kit	P3MKA00BSS
Sight glass & auto drain kit	P3MKA00BSA

P3H - Coalescing Filters + Adsorbers

Service kits

Description	Order code
0.01 micron coalescing element kit	P3HKA00ESC
Adsorber element kit	P3HKA00ESA
Sight glass & manual drain kit	P3HKA00BSM
Sight glass & semi-auto drain kit	P3HKA00BSS
Differential pressure indicator kit	P3HKA00RQ

P3K - Coalescing Filters + Adsorbers

Service kits

Description	Order code
0.01 micron coalescing element kit	P3KKA00ESC
Adsorber element kit	P3KKA00ESA
Sight glass & manual drain kit	P3KKA00BSM
Sight glass & semi-auto drain kit	P3KKA00BSS
Sight glass & auto drain kit	P3KKA00BSA
Differential pressure indicator kit	P3KKA00RQ

P3M - Coalescing Filters + Adsorbers

Service kits

Description	Order code
0.01 micron coalescing element kit	P3MKA00ESC
Adsorber element kit	P3MKA00ESA
Sight glass & manual drain kit	P3MKA00BSM
Sight glass & semi-auto drain kit	P3MKA00BSS
Sight glass & auto drain kit	P3MKA00BSA
Differential pressure indicator kit	P3MKA00RQ



P3H - Regulators

Service kits

Description	Order code
Diaphragm kit (relieving type)	P3HKA00RR
Diaphragm kit (non-relieving type)	P3HKA00RN

P3H - Manifold Regulators

Service kits

Description	Order code
Diaphragm kit (relieving type)	P3HKA00RR
Diaphragm kit (non-relieving type)	P3HKA00RN

P3K - Regulators

Service kits

Description	Order code
Lockable tamper-proof kit	P3KKA00AL
Tamper-proof knob kit	P3KKA00AT
Diaphragm kit (relieving type)	P3KKA00RR
Diaphragm kit (non-relieving type)	P3KKA00RN

P3K - Manifold Regulators

Service kits

Description	Order code
Tamper-proof knob kit	P3KKA00AT
Diaphragm kit (relieving type)	P3KKA00RR
Diaphragm kit (non-relieving type)	P3KKA00RN

P3K - Key Lockable Regulators

Service kits

Description	Order code
Diaphragm kit (relieving type)	P3KKA00RR
Diaphragm kit (non-relieving type)	P3KKA00RN

P3M - Regulators

Service kits

Description	Order code
Diaphragm kit (relieving type)	P3MKA00RR
Diaphragm kit (non-relieving type)	P3MKA00RN

P3H - Filter/Regulators

Service kits

Description	Order code
5 micron element kit	P3HKA00ESE
40 micron element kit	P3HKA00ESG
Sight glass & manual drain kit	P3HKA00BSM
Sight glass & semi-auto drain kit	P3HKA00BSS
Diaphragm kit (relieving type)	P3HKA00RR
Diaphragm kit (non-relieving type)	P3HKA00RN

P3M - Filter/Regulators

Service kits

Description	Order code
5 micron element kit	P3MKA00ESE
Sight glass & manual drain kit	P3MKA00BSM
Sight glass & semi-auto drain kit	P3MKA00BSS
Sight glass & auto drain kit	P3MKA00BSA
Maximum pressure limiter kit	P3MKA00AM
Diaphragm kit (relieving type)	P3MKA00RR
Diaphragm kit (non-relieving type)	P3MKA00RN

P3K - Filter/Regulators

Service kits

Description	Order code
Sight glass & manual drain kit	P3KKA00BSM
Drip control assembly kit	P3KKA00PG

Spare Solenoid Nuts

Valves requiring captured exhaust should be fitted with plastic knurled nut

Order code
P2FNP

P3K - Filter/Regulators

Service kits

Description	Order code
5 micron element kit	P3KKA00ESE
40 micron element kit	P3KKA00ESG
Sight glass & manual drain kit	P3KKA00BSM
Sight glass & semi-auto drain kit	P3KKA00BSS
Sight glass & auto drain kit	P3KKA00BSA
Diaphragm kit (relieving type)	P3KKA00RR
Diaphragm kit (non-relieving type)	P3KKA00RN

P3H - Lubricators

Service kits

Description	Order code
Sight glass & manual drain kit	P3HKA00BSM
Drip control assembly kit	P3HKA00PG

P3M - Lubricators

Service kits

Description	Order code
Sight glass & manual drain kit	P3MKA00BSM
Drip control assembly kit	P3MKA00PG

Valves with vented exhaust are fitted with diffuser plastic nut

Order code
P2FND

Spare Solenoid Operators

Solenoid pilot operator CNOMO NC

Description	Order code	Weight (Kg)
	Non-lock manual override	
Standard duty	P2FP23N4B	0.065

Note.

Solenoid pilot operators are fitted to the Moduflex range. Order the above part numbers for spares. The operators are supplied with mounting screws and interface 'O' rings.

Coils and connectors must be ordered separately.



Filters

Filter Element Kits

5 Micron element	P3NKA00ESE
40 Micron element	P3NKA00ESE

Filter Spare Kits

Description	Order code
Manual drain kit	P3E-KA00DBN
Auto drain kit	P3E-KA00DDN

Filter Regulators

Filter/Regulator Spare Kits

5 Micron element	P3NKA00ESE
40 Micron element	P3NKA00ESG
Repair kit (self-relieving)	P3NKA00RR
Repair kit (non-relieving)	P3NKA00RN

Regulators

Regulator Spare Kits

Repair kit (self-relieving)	P3NKA00RR
Repair kit (non-relieving)	P3NKA00RN

Coalescing Filters

Filter Element Kits

Coalescing element	P3NKA00ESC
Adsorber element	P3NKA00ESA



Filters

Service kits

Description	Order code
5 micron element kit	P3XKA00ESE
40 micron element kit	P3XKA00ESG
Bowl kit with combines manual/semi auto drain	P3XKA00BSC
Bowl kit with auto drain	P3XKA00BSA
1 micron element kit	P3XKA00ES9

Adsorbers

Service kits

Description	Order code
Adsorber element kit	P3XKA00ESA
Bowl kit with manual drain	P3XKA00BSC

Regulators

Service kits

Description	Order code
Diaphragm kit (relieving type)	P3XKA00RR
Diaphragm kit (non-relieving type)	P3XKA00RN

Coalescing Filters

Service kits

Description	Order code
0.01 micron coalescing element kit	P3XKA00ESC
Bowl kit with combines manual/semi auto drain	P3XKA00BSC
Bowl kit with auto drain	P3XKA00BSA
Differential pressure indicator kit	P3XKA00RQ

Filter Regulators

Service kits

Description	Order code
5 micron element kit	P3XKA00ESE
40 micron element kit	P3XKA00ESG
Bowl kit with combined manual/semi auto drain	P3XKA00BSC
Bowl kit with auto drain	P3XKA00BSA
Diaphragm kit (relieving type)	P3XKA00RR
Diaphragm kit (non-relieving type)	P3XKA00RN

Lubricators

Service kits

Description	Order code
Bowl kit	P3XKA00BSN
Refill plug	P3XKA00PL
Oil VG15 - 100 ml	P3XKA00PPA



Filters

Service kits

Description	Order code
5 micron element kit	P3YKA00ESE
40 micron element kit	P3YKA00ESG
Bowl kit with combined manual/semi auto drain	P3YKA00BSC
Bowl kit with auto drain	P3YKA00BSA

Coalescing Filters

Service kits

Description	Order code
0.01 micron coalescing element kit	P3YKA00ESC
Bowl kit with combined manual/semi auto drain	P3YKA00BSC
Bowl kit with auto drain	P3YKA00BSA
Differential pressure indicator kit	P3YKA00RQ

Regulators

Service kits

Description	Order code
Diaphragm kit (relieving type)	P3YKA00RR
Diaphragm kit (non-relieving type)	P3YKA00RN

Lubricators

Service kits

Description	Order code
Bowl kit	P3YKA00BSN
Refill plug	P3YKA00PL
Lubricator Oil	P3YKA00PPBB

Dust Filters

Service kits

Description	Order code
1 micron coalescing element kit	P3YKA00ES9
Bowl kit with combined manual/semi auto drain	P3YKA00BSC
Bowl kit with auto drain	P3YKA00BSA

Adsorbers

Service kits

Description	Order code
Adsorber element kit	P3YKA00ESA
Bowl kit with manual / semi-auto drain	P3YKA00BSC

Filter Regulators

Service kits

Description	Order code
5 micron element kit	P3YKA00ESE
40 micron element kit	P3YKA00ESG
Bowl kit with combined manual/semi auto drain	P3YKA00BSC
Bowl kit with auto drain	P3YKA00BSA
Diaphragm kit (relieving type)	P3YKA00RR
Diaphragm kit (non-relieving type)	P3YKA00RN



Filters / Dust Filters

Service kits

Description	Order code
5 micron element kit	P3ZKA00ESE
40 micron element kit	P3ZKA00ESG
1 micron element kit	P3ZKA00ES9

Coalescing / Adsorber Filters

Service kits

Description	Order code
0.01 micron coalescing element kit	P3ZKA00ESC
Adsorber element kit	P3ZKA00ESA
Differential pressure indicator kit	P3ZKA00RQ

Regulator / Pilot Regulator

Service kits

Description	Order code
Diaphragm kit (relieving type)	P3ZKA00RR

Lubricators

Service kits

Description	Order code
Drip control housing	P3ZKA00PG

Mini Particulate Filter P31**Repair and Service Kits**

Plastic bowl / Bowl guard manual drain	P31KA00BGM
Metal bowl / w/o sight gauge manual drain	P31KA00BMM
Plastic bowl / Bowl guard pulse drain	P31KA00BGB
Metal bowl / w/o sight gauge pulse drain	P31KA00BMB
5µ particle filter element	P31KA00ESE
C-Bracket (fits to body)	P31KA00MW

Standard Particulate Filter P33**Repair and Service Kits**

Plastic bowl / Bowl guard manual drain	P33KA00BGM
Metal bowl / Sight gauge manual drain	P33KA00BSM
Auto drain	P32KA00DA
5µ particle filter element	P33KA00ESE

Compact Coalescing and Adsorber Filter P32**Repair and Service Kits**

Plastic bowl / Bowl guard manual drain	P32KA00BGM
Metal bowl / Sight gauge manual drain	P32KA00BSM
Auto drain	P32KA00DA
1µ coalescing filter element	P32KA00ES9
0.01µ coalescing filter element	P32KA00ESC
Activated carbon adsorber filter element	P32KA00ESA
Differential pressure indicator (replacement)	P32KA00RQ

Mini Regulator P31**Repair and Service Kits**

Regulator repair kit - Relieving	P31KA00RB
Regulator repair kit - Non-relieving	P31KA00RC

Compact Regulator P32**Repair and Service Kits**

Regulator repair kit - Relieving	P32KA00RB
Regulator repair kit - Non-relieving	P32KA00RC

Compact Particulate Filter P32**Repair and Service Kits**

Plastic bowl / Bowl guard manual drain	P32KA00BGM
Metal bowl / Sight gauge manual drain	P32KA00BSM
Auto drain	P32KA00DA
5µ particle filter element	P32KA00ESE

Mini Coalescing and Adsorber Filters P31**Repair and Service Kits**

Plastic bowl / Bowl guard manual drain	P31KA00BGM
Metal bowl / w/o sight gauge manual drain	P31KA00BMM
Plastic bowl / Bowl guard pulse drain	P31KA00BGB
Metal bowl / w/o sight gauge pulse drain	P31KA00BMB
1µ coalescing filter element	P31KA00ES9
0.01µ coalescing filter element	P31KA00ESC
Activated carbon adsorber filter element	P31KA00ESA

Standard Coalescing and Adsorber Filter P33**Repair and Service Kits**

Plastic bowl / Bowl guard manual drain	P33KA00BGM
Metal bowl / Sight gauge manual drain	P33KA00BSM
Auto drain	P32KA00DA
1µ coalescing filter element	P33KA00ES9
0.01µ coalescing filter element	P33KA00ESC
Activated carbon adsorber filter element	P33KA00ESA
Differential pressure indicator (replacement)	P32KA00RQ

Mini Common - P1 Regulator P31**Repair and Service Kits**

Regulator repair kit - Relieving	P31KA00RB
Regulator repair kit - Non-relieving	P31KA00RC

Compact Common P1 Regulator P32**Repair and Service Kits**

Regulator repair kit - Relieving	P32KA00RB
Regulator repair kit - Non-relieving	P32KA00RC

Standard Regulator P33**Repair and Service Kits**

Regulator repair kit - Relieving	P33KA00RB
Regulator repair kit - Non-relieving	P33KA00RC

Compact Filter / Regulator P32**Repair and Service Kits**

Plastic bowl / Bowl guard manual drain	P32KA00BGM
Metal bowl / Sight gauge manual drain	P32KA00BSM
Auto drain	P32KA00DA
5µ particle filter element	P32KA00ESE
Regulator repair kit - Relieving	P32KA00RB
Regulator repair kit - Non-relieving	P32KA00RC

Mini Lubricator - P31**Repair and Service Kits**

Plastic bowl / Bowl guard no drain	P31KA00BGN
Metal bowl / w/o sight gauge no drain	P31KA00BSN
Drip control assembly	P31KA00PG
Lubricator Oil - VG15:ISO 3448 - 100ml	P3XKA00PPA
Lubricator Oil - VG32 - 1 litre	P3YKA00PPBB

Standard Lubricator - P33**Repair and Service Kits**

Plastic bowl / Bowl guard no drain	P33KA00BGN
Metal bowl / Sight gauge no drain	P33KA00BSN
Drip control assembly	P32KA00PG
Lubricator Oil - VG15:ISO 3448 - 100ml	P3XKA00PPA
Lubricator Oil - VG32 - 1 litre	P3YKA00PPBB

Mini Filter / Regulator P31**Repair and Service Kits**

Plastic bowl / Bowl guard manual drain	P31KA00BGM
Metal bowl / w/o sight gauge manual drain	P31KA00BMM
Plastic bowl / Bowl guard pulse drain	P31KA00BGB
Metal bowl / w/o sight gauge pulse drain	P31KA00BMB
5µ particle filter element	P31KA00ESE
Regulator repair kit - Relieving	P31KA00RB
Regulator repair kit - Non-relieving	P31KA00RC

Standard Filter / Regulator P33**Repair and Service Kits**

Plastic bowl / Bowl guard manual drain	P33KA00BGM
Metal bowl / Sight gauge manual drain	P33KA00BSM
Auto drain	P33KA00DA
5µ particle filter element	P33KA00ESE
Regulator repair kit - Relieving	P33KA00RB
Regulator repair kit - Non-relieving	P33KA00RC

Compact Lubricator - P32**Repair and Service Kits**

Plastic bowl / Bowl guard no drain	P32KA00BGN
Metal bowl / Sight gauge no drain	P32KA00BSN
Drip control assembly	P32KA00PG
Lubricator Oil - VG15:ISO 3448 - 100ml	P3XKA00PPA
Lubricator Oil - VG32 - 1 litre	P3YKA00PPBB

Spare Solenoid Operators**Solenoid pilot operator CNOMO NC**

Description	Order code	Weight (Kg)
	Non-lock manual override	
Standard duty	P2FP23N4B	0.065

Note.

Solenoid pilot operators are fitted to the Global range. Order the above part numbers for spares. The operators are supplied with mounting screws and interface 'O' rings.

Coils and connectors must be ordered separately.

Spare Solenoid Nuts

Valves requiring captured exhaust should be fitted with plastic knurled nut

Order code	P2FNP
------------	--------------

Valves with vented exhaust are fitted with diffuser plastic nut

Order code	P2FND
------------	--------------



R210 / R220 Regulator Kits & Accessories

Mounting Bracket Kits

Pipe Mounting	SA200YW57
Right Angle Mounting	446-707-045

Service Kits

0.13 to 2.7 bar	RKR210A
0.13 to 8.2 bar	RKR210C
0.13 to 8.2 bar (High Relieving).....	RKR220C

R230 Regulator Kits & Accessories

Mounting Bracket Kit	446-707-025
----------------------------	--------------------

Service Kits – Relieving

0 to 0.13 bar	RKR230E
0 to 2 bar	RKR230B
0 to 4 bar	RKR230C
0 to 10 bar	RKR230D

PXP Two Hand Control Units



Spare parts for two-hand control units

Description	Base component	Order code
1 guard for two-hand control	PXP-C111 PXP-D121	PPR-L15
1 set of 50 spring retaining clips		PPR-W01
1 guard for two hand control		PPR-L15
Control module		PXP-A11
Push button Black		ZB4-BR2
Push button Green		ZB4-BR3
Push button Red		ZB4-BR4

* These units are indispensable for ensuring that both operator's hands are occupied for reasons of safety. Both push-buttons must be operated simultaneously to produce an output signal.

** Conforming to french standard NFE 09-036 " Pneumatic synchronous two-hand controls".

Parker Worldwide

Europe, Middle East, Africa

AE – United Arab Emirates,
Dubai

Tel: +971 4 8127100
parker.me@parker.com

AT – Austria, Wiener Neustadt

Tel: +43 (0)2622 23501-0
parker.austria@parker.com

AT – Eastern Europe, Wiener
Neustadt

Tel: +43 (0)2622 23501 900
parker.easteurope@parker.com

AZ – Azerbaijan, Baku

Tel: +994 50 2233 458
parker.azerbaijan@parker.com

BE/LU – Belgium, Nivelles

Tel: +32 (0)67 280 900
parker.belgium@parker.com

BY – Belarus, Minsk

Tel: +375 17 209 9399
parker.belarus@parker.com

CH – Switzerland, Etoy

Tel: +41 (0)21 821 87 00
parker.switzerland@parker.com

CZ – Czech Republic, Klecany

Tel: +420 284 083 111
parker.czechrepublic@parker.com

DE – Germany, Kaarst

Tel: +49 (0)2131 4016 0
parker.germany@parker.com

DK – Denmark, Ballerup

Tel: +45 43 56 04 00
parker.denmark@parker.com

ES – Spain, Madrid

Tel: +34 902 330 001
parker.spain@parker.com

FI – Finland, Vantaa

Tel: +358 (0)20 753 2500
parker.finland@parker.com

FR – France, Contamine s/Arve

Tel: +33 (0)4 50 25 80 25
parker.france@parker.com

GR – Greece, Athens

Tel: +30 210 933 6450
parker.greece@parker.com

HU – Hungary, Budapest

Tel: +36 23 885 475
parker.hungary@parker.com

IE – Ireland, Dublin

Tel: +353 (0)1 466 6370
parker.ireland@parker.com

IT – Italy, Corsico (MI)

Tel: +39 02 45 19 21
parker.italy@parker.com

KZ – Kazakhstan, Almaty

Tel: +7 7272 505 800
parker.easteurope@parker.com

NL – The Netherlands, Oldenzaal

Tel: +31 (0)541 585 000
parker.nl@parker.com

NO – Norway, Asker

Tel: +47 66 75 34 00
parker.norway@parker.com

PL – Poland, Warsaw

Tel: +48 (0)22 573 24 00
parker.poland@parker.com

PT – Portugal, Leca da Palmeira

Tel: +351 22 999 7360
parker.portugal@parker.com

RO – Romania, Bucharest

Tel: +40 21 252 1382
parker.romania@parker.com

RU – Russia, Moscow

Tel: +7 495 645-2156
parker.russia@parker.com

SE – Sweden, Spånga

Tel: +46 (0)8 59 79 50 00
parker.sweden@parker.com

SK – Slovakia, Banská Bystrica

Tel: +421 484 162 252
parker.slovakia@parker.com

SL – Slovenia, Novo Mesto

Tel: +386 7 337 6650
parker.slovenia@parker.com

TR – Turkey, Istanbul

Tel: +90 216 4997081
parker.turkey@parker.com

UA – Ukraine, Kiev

Tel: +380 44 494 2731
parker.ukraine@parker.com

UK – United Kingdom, Warwick

Tel: +44 (0)1926 317 878
parker.uk@parker.com

ZA – South Africa, Kempton Park

Tel: +27 (0)11 961 0700
parker.southafrica@parker.com

North America

CA – Canada, Milton, Ontario

Tel: +1 905 693 3000

US – USA, Cleveland

Tel: +1 216 896 3000

Asia Pacific

AU – Australia, Castle Hill

Tel: +61 (0)2-9634 7777

CN – China, Shanghai

Tel: +86 21 2899 5000

HK – Hong Kong

Tel: +852 2428 8008

IN – India, Mumbai

Tel: +91 22 6513 7081-85

JP – Japan, Tokyo

Tel: +81 (0)3 6408 3901

KR – South Korea, Seoul

Tel: +82 2 559 0400

MY – Malaysia, Shah Alam

Tel: +60 3 7849 0800

NZ – New Zealand, Mt Wellington

Tel: +64 9 574 1744

SG – Singapore

Tel: +65 6887 6300

TH – Thailand, Bangkok

Tel: +662 186 7000-99

TW – Taiwan, Taipei

Tel: +886 2 2298 8987

South America

AR – Argentina, Buenos Aires

Tel: +54 3327 44 4129

BR – Brazil, Sao Jose dos Campos

Tel: +55 800 727 5374

CL – Chile, Santiago

Tel: +56 2 623 1216

MX – Mexico, Apodaca

Tel: +52 81 8156 6000

European Product Information Centre

Free phone: 00 800 27 27 5374

(from AT, BE, CH, CZ, DE, DK, EE, ES, FI,
FR, IE, IL, IS, IT, LU, MT, NL, NO, PL, PT, RU,
SE, SK, UK, ZA)

Parker Hannifin Ltd.

Tachbrook Park Drive

Tachbrook Park,

Warwick, CV34 6TU

United Kingdom

Tel.: +44 (0) 1926 317 878

Fax: +44 (0) 1926 317 855

parker.uk@parker.com

www.parker.com

